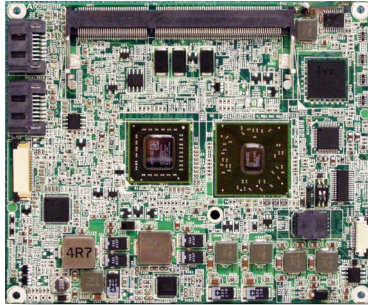


EmETX-a55E0

ETX

AMD G-series Processor G-T56N/G-T40N ETX CPU Module



Features

- Soldered onboard AMD G-series Processor G-T56N/ G-T40N
- Dual Channels 24-bit LVDS, Analog RGB and DDI Port
- SATA RAID supported
- **Extended Operating Temp.:-20 ~ 70°C**

System

Processor	Soldered onboard AMD G-Series Processor G-T56N 1.65GHz G-T40N 1.0GHz
Chipset	AMD FCH A55E
Memory	1 x DDR3 SO-DIMM socket, supporting up to 8GB 1333MT/s SDRAM
BIOS	AMI BIOS
Watchdog Timer	1~255 levels reset

I/O

Super IO Chipset	Fintek F71869ED
Serial Port	1 x RS-232 1 x RS-232/422/485 (by Carrier Board)
Parallel Port	SPP/EPP/ECP mode selectable
KB/MS	PS/2 interface for keyboard and mouse
USB 2.0	4 x USB 2.0 ports
Expansion	4 x PCI, ISA, LPC
Storage	2 x Serial ATA ports with 600MB/s HDD transfer rate
Ethernet Chipset	1 x Realtek 8105E PCIe 10/100Base-T Ethernet controller
Audio	Realtek ALC886 7.1 Channel HD Audio CODEC, Mic-in/ Line-in/ Line-out

Display

Graphic Chipset	Integrated in AMD G-series Processor Analog RGB/DVI: Analog RGB, with resolution up to 2560x1600
Graphic Interface	LCD: Dual Channels 24-bit LVDS DDI port: 1 x DDI port

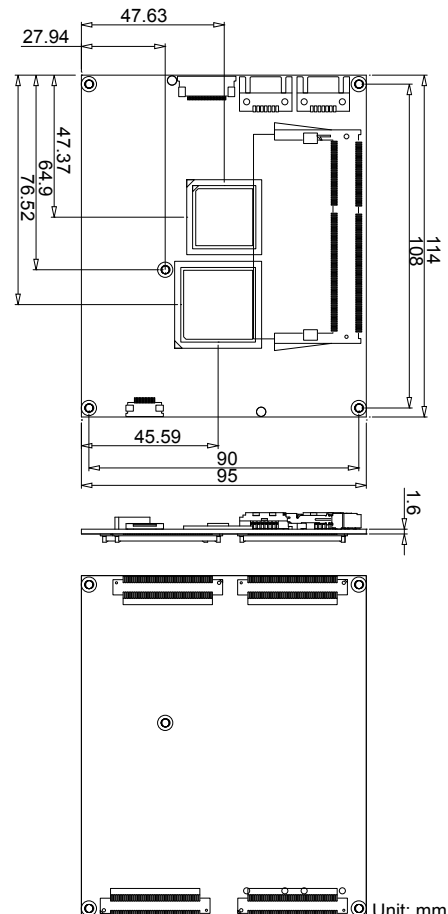
OS Support

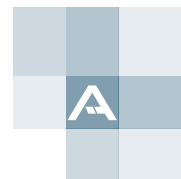
Windows 2000
Windows XP
Windows 7

Mechanical & Environmental

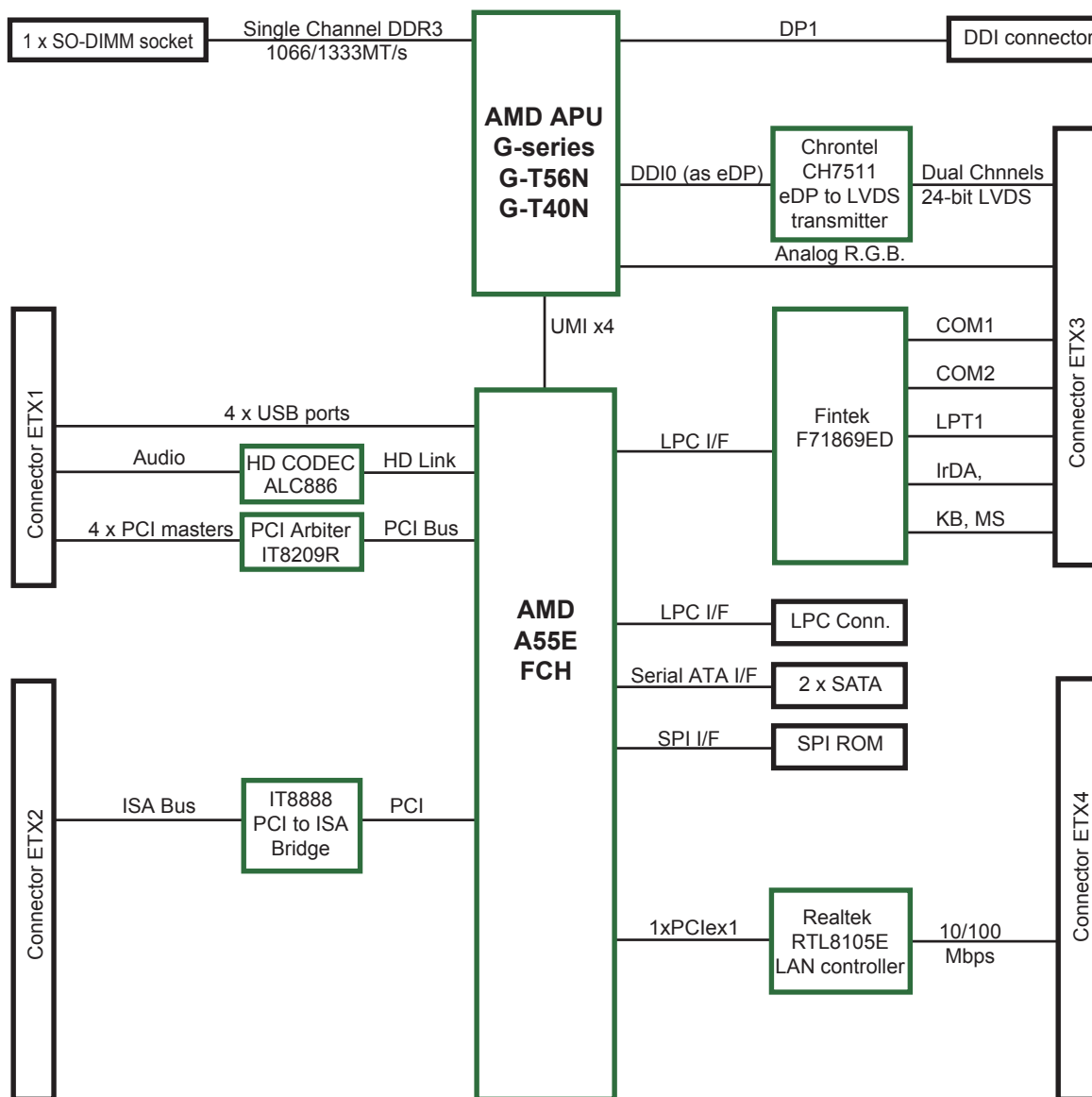
Power Requirement	DC 5V, 5VSB
Power Consumption	3.23A@5V with G-T56N (Typical, with PBE-1000)
Operating Temp.	-20 ~ 70°C (-4 ~ 158°F)
Operating Humidity	10 ~ 95% @ 70°C (non-condensing)
Dimensions (L x W)	114 x 95 mm (4.5" x 3.7")

Dimensions





Block Diagram



Ordering Information

EmETX-a55E0-T56N (OEM request)	AMD G-T56N/ A55E ETX CPU module
EmETX-a55E0-T40N	AMD G-T40N/ A55E ETX CPU module

Optional Accessories

HS-55E0-F2	Heat spreader 114x95x8mm
HS-0000-W4	Universal evaluation heat sink kit with thermal pad 125x95x22mm, only used on a flat-type heat spreader
CPF-0000-C1	FAN, 4500RPM, 60x60x20mm
PBE-1000 R2.1	ETX evaluation carrier board in ATX form factor
CBK-08-1000-00	Cable kit 1 x FDD cable 3 x Serial port cables 1 x USB cable 2 x IDE cables 1 x TV-out cable