

EmETX-i2304 R2.0

ETX

Intel® Atom™ Processor E3800 family ETX CPU Module



Features

- Soldered Onboard Intel® Atom® Processor E3800 family
- Dual Channels 24-bit LVDS, Analog RGB and DDI Port
- Integrated 10/100base-T Ethernet
- Extended Operating Temp.: -20 ~ 70°C
- Wide Range Operating Temp.: -40 ~ 85°C (WT series)

System

CPU	Soldered Onboard Intel® Atom™ 3825 1.33GHz or E3845 1.91GHz Processor
Memory	1 x DDR3L SO-DIMM socket, supporting up to 8GB 1333MT/s SDRAM
BIOS	Insyde BIOS
Watchdog Timer	1~255 levels reset
Super IO Chipset	Fintek F71869ED

I/O

Serial Port	1 x RS-232 1 x RS-232/422/485 (by Carrier Board)
Parallel Port	SPP/EPP/ECP mode selectable
Keyboard & Mouse	PS/2 interface for keyboard and mouse
USB Port	4 x USB 2.0 ports
Expansion Bus	4 x PCI, ISA, LPC (OEM request)
Storage	1 x Ultra ATA port, supporting 2 IDE devices 2 x Serial ATA ports with 300MB/s HDD transfer rate
Ethernet Chipset	1 x Realtek RTL8106E PCIe 10/100Mbps controller
Audio Interface	Realtek ALC886 5.1 Channel HD Audio CODEC, Mic-in/ Line-in/Line-out
TPM Function	TPM supported (OEM request)

Display

Graphics Chipset	Integrated Intel® Gen7 Graphic
Graphics Interface	Analog RGB/DVI: Analog RGB, with resolution up to 2048x1536 LCD: Dual Channels 24-bit LVDS, with resolution up to 1920x1200

OS Support

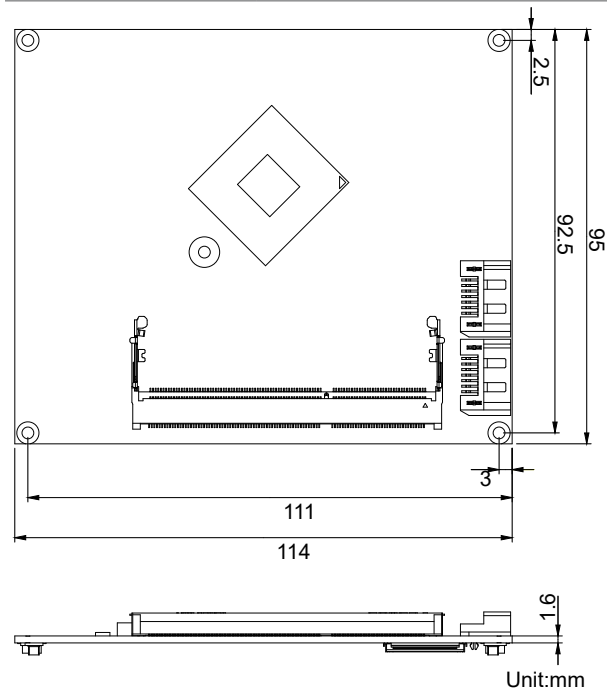
Windows 7 32-bit/64-bit without ISA support*
Windows 10 32-bit/64-bit without ISA support*
Linux: Ubuntu 12.04 32bit/64bit or later

*Note: OEM Request for ISA support

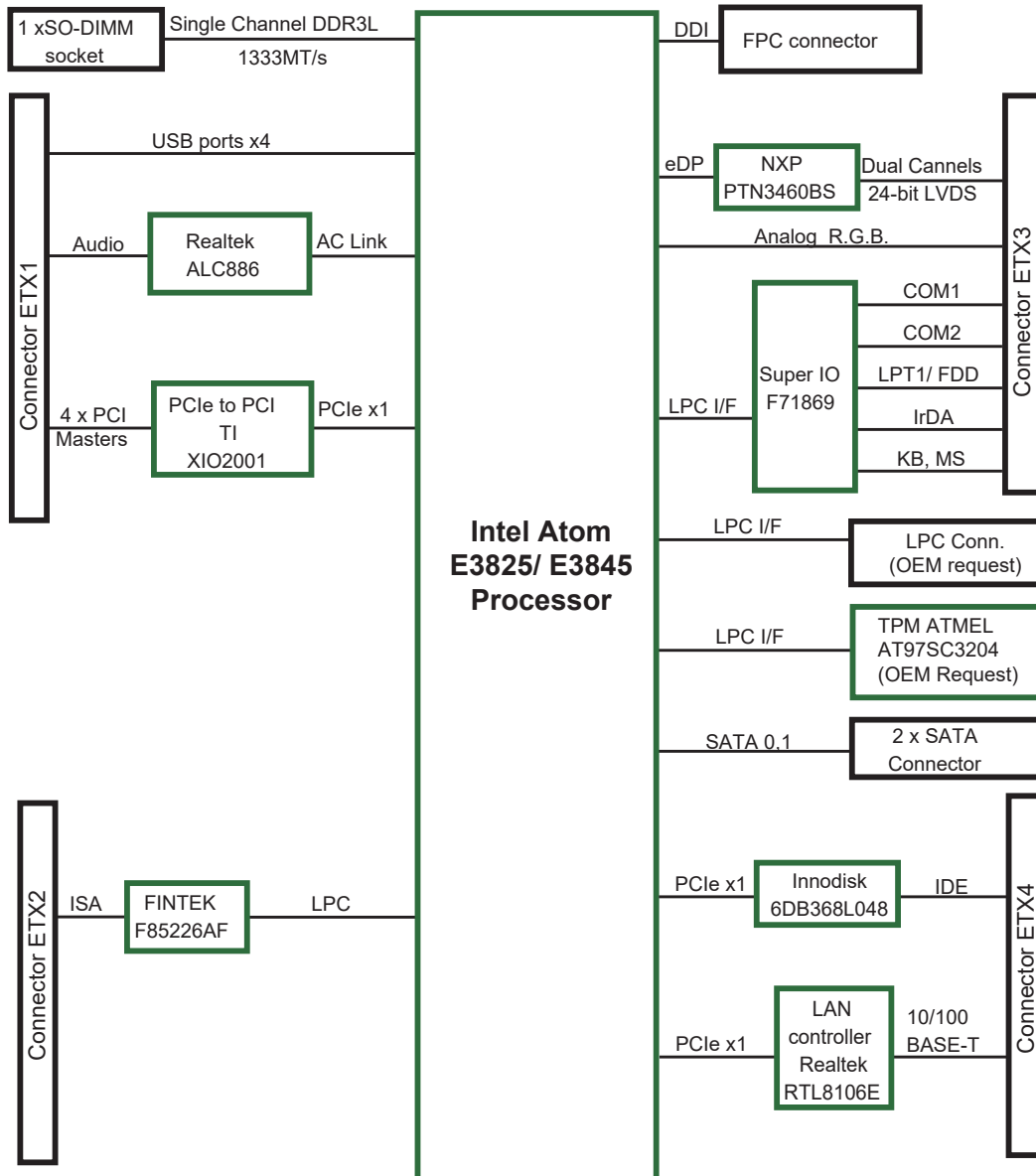
Mechanical & Environmental

Power Requirement	DC 5V, 5VSB
Power Consumption	2.88A@5V with E3845, 2.26A@5V with E3825 (Typical, with PBE-1000)
Operating Temp.	-20 ~ 70°C (-4 ~ 158°F) -40 ~ 85°C (-40 ~ 185°F, WT series)
Operating Humidity	10 ~ 95% @ 70°C (non-condensing) 10 ~ 95% @ 85°C (non-condensing, WT series)
Dimension (L x W)	114 x 95 mm (4.5" x 3.7")

Dimensions



Block Diagram



Ordering Information

EmETX-i2304-E3825	Intel® Atom™ Processor E3825 ETX CPU module
EmETX-i2304-E3845	Intel® Atom™ Processor E3845 ETX CPU module
EmETX-i2304-WT-E3825 (BTO)	Intel® Atom™ Processor E3825 WT ETX CPU module
EmETX-i2304-WT-E3845 (BTO)	Intel® Atom™ Processor E3845 WT ETX CPU module

Optional Accessories

HS-2304-F1	Heat spreader 114x95x18mm
PBE-1000 R2.1	ETX evaluation carrier board in ATX form factor
CBK-05-1000-00	Cable kit 1 x FDD cable 3 x Serial port cables 1 x USB cable 2 x IDE cables 1 x TV-out cable