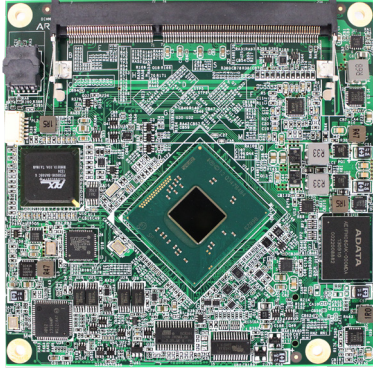


# EmETXe-i2309

Intel® Atom™ processor E3845 COM Express® Compact Type 6 CPU Module



## Features

- **Fanless Design**
- Soldered onboard Intel® Atom™ processor E3845
- Intel Ethernet controller i21x series
- Dual Channels 24-bit LVDS, Analog RGB, and 1 x DisplayPort
- **Extended Operating Temp.: -20 ~ 70°C**
- **Wide Range Operating Temp.: -40 ~ 85°C (WT series)**

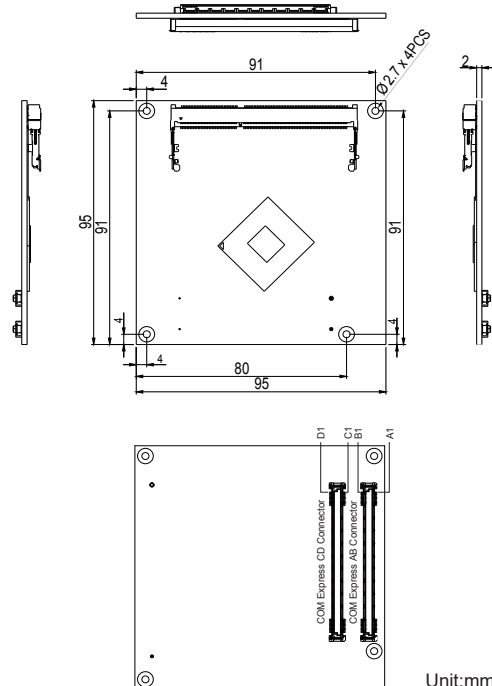
## System

CPU	Soldered onboard Intel® Atom™ processor E3845 1.91GHz
Memory	1 x DDR3L SO-DIMM socket, supporting up to 8GB 1333MT/s SDRAM
BIOS	Insyde UEFI BIOS
Watchdog Timer	1~255 levels reset
<b>I/O</b>	
USB Port*	8 x USB 2.0 ports* 1 x USB 3.0 port
Expansion Bus	8 x PCIe x1 lanes SPI, LPC, SM_BUS, GPIO(Optional)
Storage	2 x Serial ATA ports with 300MB/s HDD transfer rate Soldered onboard 4GB/8GB/16GB eMMC 4.5 (OEM Request)
Ethernet Chipset	1 x Intel® Ethernet controller i210x series
Serial Port	1 x UART (RX/TX)
TPM	Supports TPM (OEM Request)
Audio	HD audio link
<b>Display</b>	
Graphic Chipset	SoC integrated Intel® Gen7 Graphics 24-bit Dual Channels LVDS supported via eDP to LVDS NXP PTN3460
Graphic Interface	1 x DisplayPort Analog RGB supported
<b>OS Support</b>	
Windows 7 32-bit/64-bit	
Windows 8.1 32-bit/64-bit	
Windows 10 IoT	
Linux: Ubuntu	

## Mechanical & Environmental

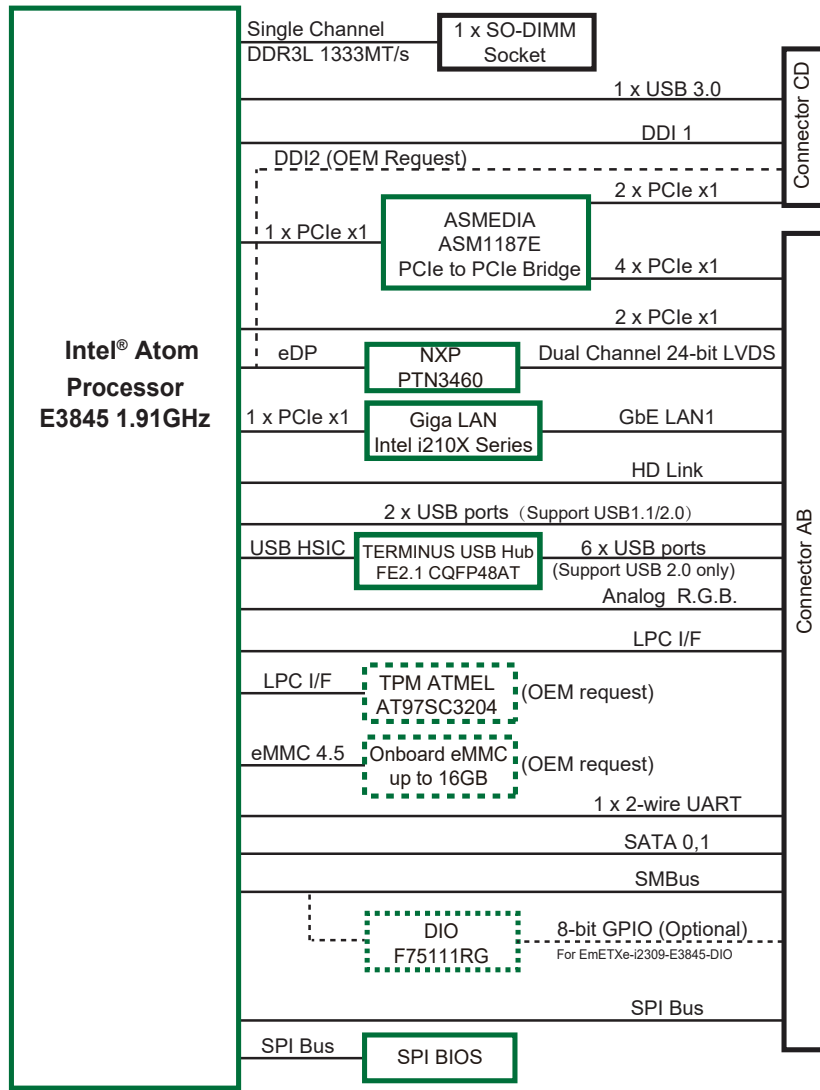
Power Requirement +12V, 5VSB

Power Consumption	1.05A@+12V (Typical)
Operating Temp.	-20 ~ 70°C (-4 ~ 158°F) -40 ~ 85°C (-40 ~ 185°F, WT series)
Operating Humidity	10 ~ 95% @ 70°C (non-condensing) 10 ~ 95% @ 85°C (non-condensing, WT series)
Dimensions (L x W)	95 x 95 mm (3.7" x 3.7")



\* USB port 2~7 support USB2.0 only, USB port 0~1 work after driver installation. Refer to "Connector Pin Assignment" in Quick Installation Guide for details.

## Block Diagram



### Ordering Information

EmETXe-i2309-E3845	Intel® Atom™ processor E3845 1.91GHz COM Express® Compact CPU module
EmETXe-i2309-WT-E3845	Wide range temperature Intel® Atom™ processor E3845 1.91GHz COM Express® Compact CPU module
EmETXe-i2309-E3845-DIO	Intel® Atom™ processor E3845 1.91GHz COM Express® Compact CPU module,w/ GPIO

### Optional Accessories

HS-2309-F2-NT*	Heat spreader, non-threaded standoffs (bore hole) (95x95x11mm), not compatible with WT series
HS-0000-W4	Universal evaluation heatsink kit w/ thermal pad (dimensions: 125x95x22mm, only used on a flat type heat spreader)
PBE-1705-F1	COM Express® Type 6 evaluation carrier board with super I/O F71869ED in ATX form factor
CBK-03-1705-00	Cable kit 1 x SATA cable 2 x COM Flat cables

\*For Wide-Temperature series, it is suggested to use HS-2309-F2-NT in conjunction with HS-0000-W4.