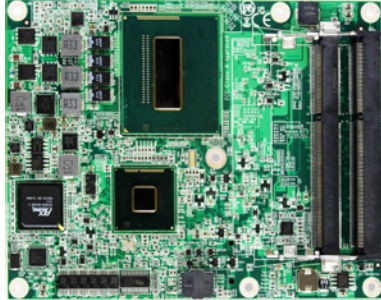


# EmETXe-i87M0

## 4<sup>th</sup> Generation Intel® Core™ Processor COM Express® Basic Type 6 CPU Module



### Features

- Soldered onboard 4<sup>th</sup> Generation Intel® Core™ Processor
- Integrated Gigabit Ethernet
- Dual channels 24-bit LVDS, Analog RGB, and 3 x DDI ports
- Supports 3 independent displays
- RAID 0, 1, 5, 10 supported
- Support Intel® Active Management Technology (Intel® AMT)
- **Extended Operating Temp.: -20 ~ 70°C**
- **Wide Range Operating Temp.: -40 ~ 85°C (WT series)**

### System

Processor	Soldered onboard 4 <sup>th</sup> Generation Intel® Core™ Processor i7-4700EQ 2.4GHz i5-4402E 1.6GHz i3-4102E 1.6GHz i3-4112E 1.8GHz (Haswell Refresh)
Chipset	Intel® PCH QM87
Memory	2 x DDR3L SO-DIMM sockets, supporting up to 16GB 1600MT/s SDRAM
BIOS	AMI BIOS
Watchdog Timer	1~255 levels reset

### I/O

USB 2.0	8 x USB 2.0 ports
USB 3.0	4 x USB 3.0 ports
Expansion	8 x PCIe1 Gen.2, 1 x PCIe16 Gen3, LPC
Storage	2 x Serial ATA ports with 300MB/s HDD transfer rate 2 x Serial ATA ports with 600MB/s HDD transfer rate
Ethernet Chipset	1 x Intel® i217LM PCIe GbE PHY
Digital I/O	8-bit Programmable
Audio	HD link

### Display

Graphic Chipset	Integrated Intel® HD Graphics 4600
Graphic Interface	Analog RGB/DVI: Analog RGB, with resolution up to 1920x1200 LCD: Dual Channels 24-bit LVDS, with resolution up to 1920x1200@60Hz (OEM request) DDI port: 3 x DDI ports

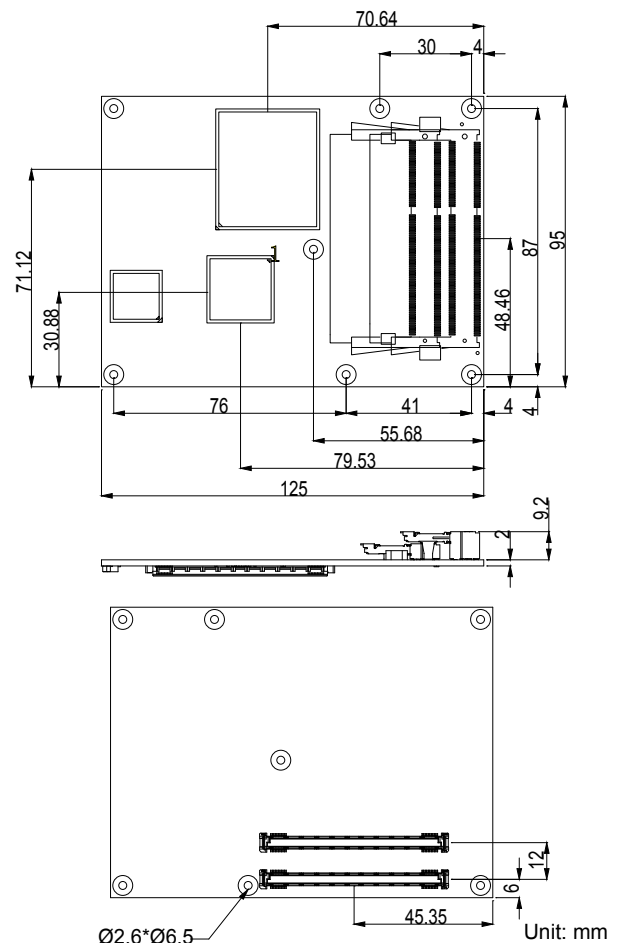
### OS Support

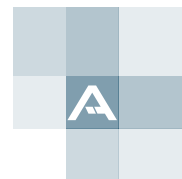
Windows 7 32-bit/64-bit
Windows 8 32-bit/64-bit
Linux: Ubuntu

### Mechanical & Environmental

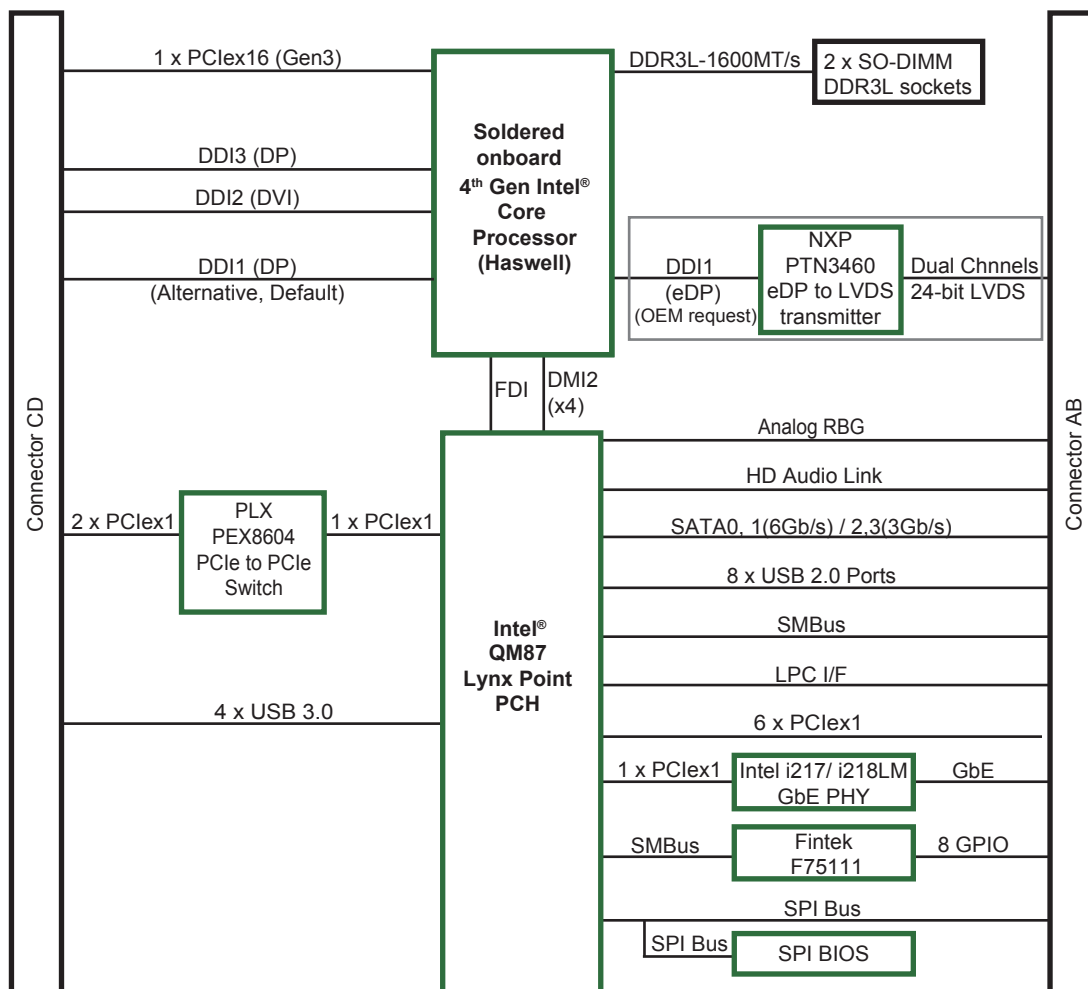
Power Requirement	DC 12V, 5VSB
Power Consumption	3.00A@12V (Typical, with PBE-1702)
Operating Temp.	-20 ~ 70°C (-4 ~ 158°F) -40 ~ 85°C (-40 ~ 185°F, WT series)
Operating Humidity	10 ~ 95% @ 70°C (non-condensing) 10 ~ 95% @ 85°C (non-condensing, WT series)
Dimensions (L x W)	125 x 95 mm (4.9" x 3.7")

### Dimensions





## Block Diagram



### Ordering Information

EmETXe-i87M0-4402E	4 <sup>th</sup> Generation Intel <sup>®</sup> Core™ i5-4402E/ QM87 COM Express <sup>®</sup> Basic Type 6 CPU module
EmETXe-i87M0-4700EQ (OEM request)	4 <sup>th</sup> Generation Intel <sup>®</sup> Core™ i7-4700EQ/ QM87 COM Express <sup>®</sup> Basic Type 6 CPU module
EmETXe-i87M0-4112E (OEM request)	4 <sup>th</sup> Generation Intel <sup>®</sup> Core™ i3-4112E/ QM87 COM Express <sup>®</sup> Basic Type 6 CPU module
EmETXe-i87M0-4102E (OEM request)	4 <sup>th</sup> Generation Intel <sup>®</sup> Core™ i3-4102E/ QM87 COM Express <sup>®</sup> Basic Type 6 CPU module
EmETXe-i87M0-WT-4402E (BTO)	4 <sup>th</sup> Generation Intel <sup>®</sup> Core™ i5-4402E/ QM87 WT COM Express Basic Type 6 CPU module

### Optional Accessories

HS-87M0-F1	Heat spreader 125x95x18mm, not compatible with WT series
HS-87M0-F2	Heat spreader 125x95x11mm, not compatible with WT series
HS-0000-W4	Universal evaluation heat sink kit with thermal pad 125x95x22mm, only used on a flat-type heat spreader
HS-87M2-C2	Cooler 125x95x34mm
PBE-1702	COM Express <sup>®</sup> Type 6 evaluation carrier board with Super IO F71869ED in ATX form factor
CBK-04-1702-00	Cable Kit
	1 x SATA cable
	2 x Serial port cables
	1 x USB cable