

EmETXe-i87M2



Wide-temperature COM Express® Basic Type 6 CPU Module



Features

- Soldered onboard 5th Generation Intel® Core™ i7-5700EQ
- Integrated Gigabit Ethernet
- Dual channels 24-bit LVDS, Analog RGB, and 3 x DDI ports
- Supports 3 independent displays
- **ECC Memory supported**
- **Extended Operating Temp.:-40 ~ 85°C**

System

CPU	Soldered onboard 5 th Generation Intel® Core™ i7-5700EQ 2.6GHz(Base)/3.4GHz(Turbo)
Chipset	Intel® PCH QM87
Memory	2 x DDR3L ECC SO-DIMM sockets, supporting 1600MHz up to 16GB SDRAM
BIOS	AMI UEFI BIOS
Watchdog Timer	1~255 levels reset

I/O

USB Port	12 x USB ports: - 8 x USB 2.0 ports - 4 x USB 3.0 ports
Serial Port	N/A
Expansion Bus	1 x PCIe x16 Generation 3 lanes 6 x PCIe x1 Generation 2 lanes
Storage	4 x Serial ATA ports: - 2 ports with 600MB/s HDD transfer rate - 2 ports with 300MB/s HDD transfer rate SATA RAID 0, 1, 5, 10 supported
Ethernet Chipset	1 x Intel® i218LM PCIe GbE PHY
Digital I/O	8-bit programmable digital input/output
Audio	HD Audio link
TPM	TPM supported

Display

Graphic Chipset	Integrated Intel® HD Gen 7.5
Graphic Interface	Analog RGB supporting up to 1920x1200@60Hz LCD: Dual Channels 24-bit LVDS, with resolution up to 1920x1200@60Hz 3 x DDI ports

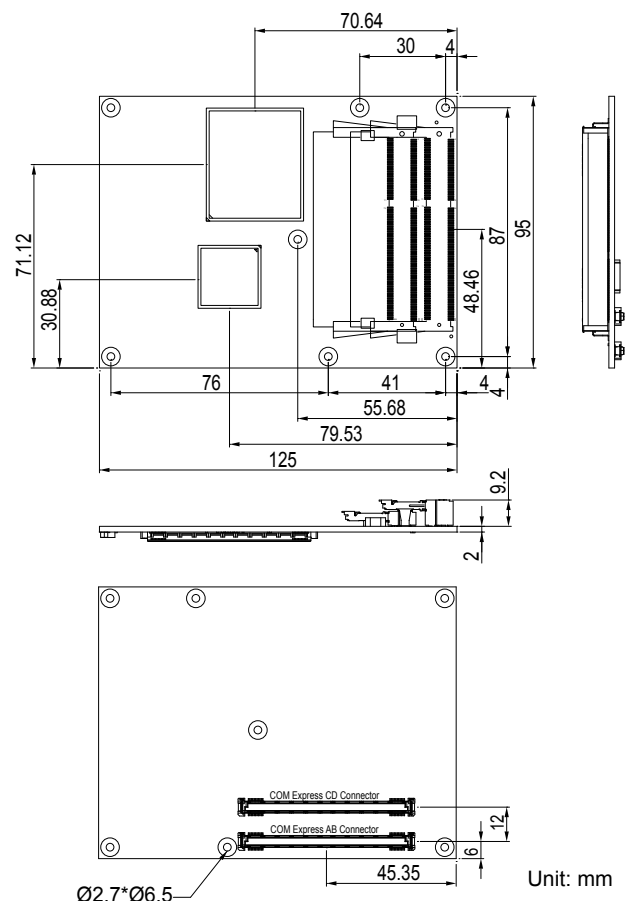
OS Support

Windows 7 64-bit
Windows 8.1 64-bit
Linux: Ubuntu

Mechanical & Environmental

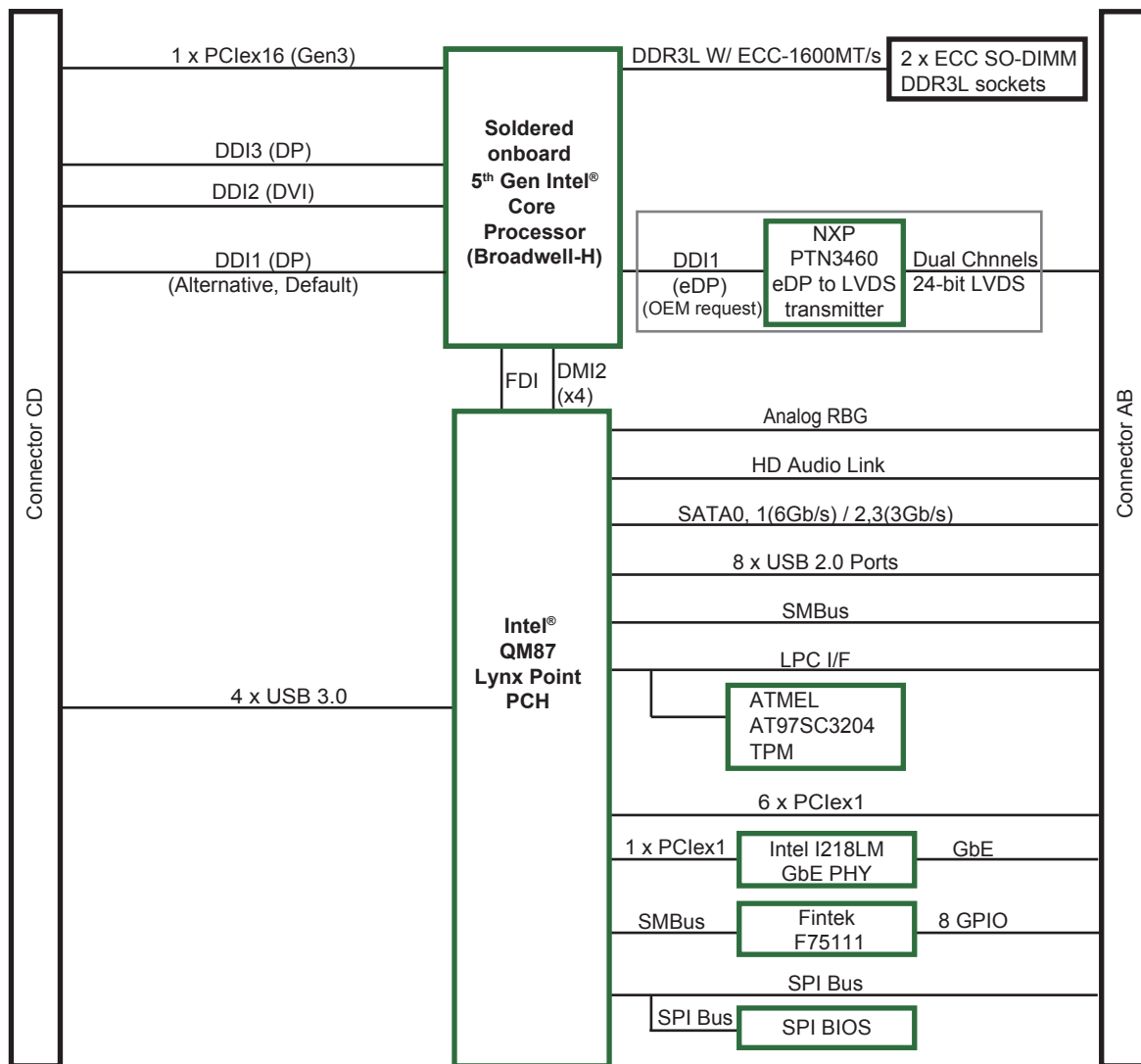
Power Requirement	+12V, +5VSB
Power Consumption	1.13A@12V, 0.31A@5V, 0.36A@3.3V with i7-5700EQ (Typical, with PBE-1702)
Operating Temp.	-40 ~ 85°C (-40 ~ 185°F)
Operating Humidity	0 ~ 95% @ 85°C (non-condensing)
Dimensions (L x W)	125 x 95 mm (4.9" x 3.7")

Dimensions





Block Diagram



Ordering Information

EmETXe-i87M2-5700EQ	5 th Generation Intel® Core™ i7-5700EQ 2.6GHz/ QM87 WT COM Express® CPU module
---------------------	-------------------------------------------------------------------------------------------

Optional Accessories

HS-87M2-C2	Cooler 125x95x34mm
PBE-1702	COM Express® Type 6 evaluation carrier board (ATX form factor)
CBK-04-1702-00	Cable Kit 1 x SATA cable 2 x COM-port cables 1 x USB cable