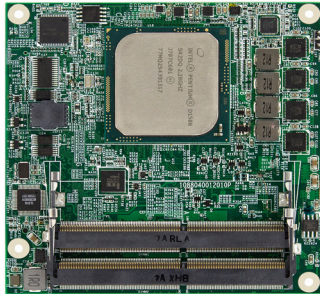


EmETXe-i88U4

Intel® Xeon D-1539/D-1508/D-1527 Processor COM Express® Compact Type 6 CPU Module



Features

- Soldered onboard Intel® Xeon D-1539/D1508/D-1527 processor
- Supports two ECC SO-DIMM Sockets
- PCIe16 for Graphics
- Supports one Ethernet
- Operating Temp.: 0 ~ 60°C

System

CPU	Soldered onboard Intel® Xeon D-1539 1.6GHz/D-1508 2.2GHz/D-1527 2.2GHz processor
Memory	2 x DDR4 ECC SO-DIMM sockets
BIOS	AMI UEFI BIOS
Watchdog Timer	1~255 levels reset

I/O

USB Port	8 x USB 2.0 ports (EHCI supported) 4 x USB 3.0 ports
Expansion Bus	1 x PCIe16 lane, 8 x PCIe1 lanes, I2C Interface
Digital I/O	8-bit Digital Input/Output
Storage	4 x Serial ATA ports with 600MB/s HDD transfer rate
Ethernet Chipset	1 x Intel® Ethernet controller i21x series
TPM	Supports TPM (OEM Request)

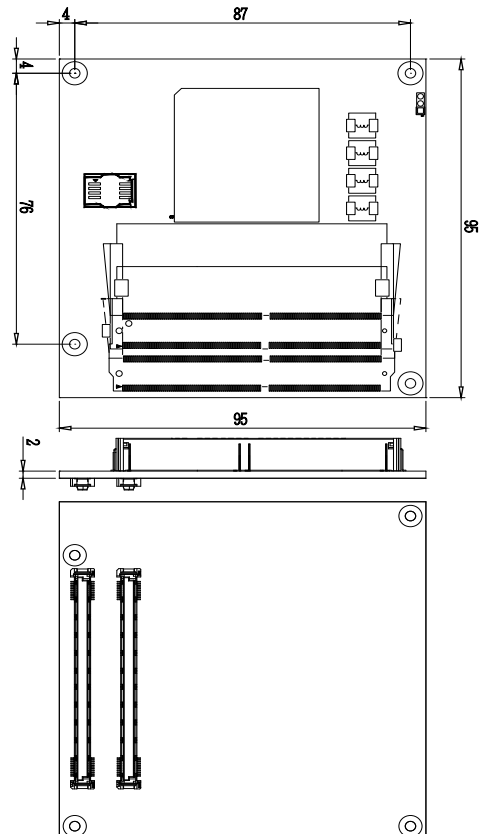
OS support

Windows 8.1
Windows 10 IoT
Linux: Ubuntu

Mechanical & Environmental

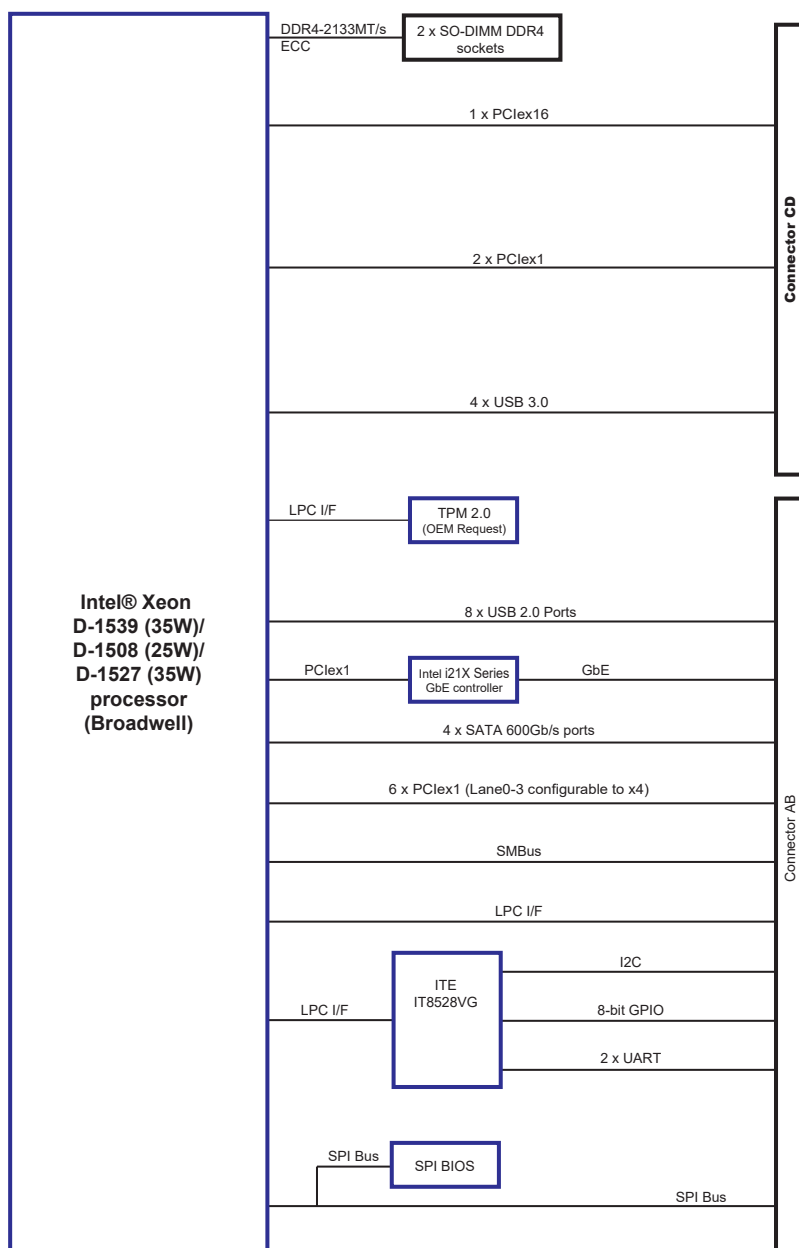
Power Requirement	+12V, 5VSB
Power Consumption	2.38A@12V(D-1539 typical)
Operating Temp.	0 ~ 60°C (32 ~ 140°F)
Operating Humidity	10 ~ 95% @ 60°C (non-condensing)
Dimensions (L x W)	95 x 95 mm(3.7" x 3.7")

Dimensions



Unit:mm

Block Diagram



Ordering Information

EmETXe-i88U4-D1539	Intel® Xeon D-1539 COM Express® Compact Type 6 CPU Module
EmETXe-i88U4-D1508	Intel® Xeon D-1508 COM Express® Compact Type 6 CPU Module
EmETXe-i88U4-D1527	Intel® Xeon D-1527 COM Express® Compact Type 6 CPU Module

Optional Accessories

HS-88U4-C1	Heat sink with Fan (95x95x36.5mm)
PBE-1705-F1	COM Express® Type 6 evaluation carrier board with SIO F71869ED module in ATX form factor
CBK-03-1705-00	Cable kit 1 x SATA cable 2 x Serial port cables