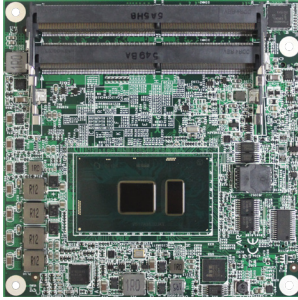


EmETXe-i89U0

6th Generation Intel® Core™ i7/ i5/ i3/ Celeron® Processor
COM Express® Compact Type 6 CPU Module



Features

- Soldered onboard 6th Generation Intel® Core™ i7/ i5/ i3/ Celeron®
- Intel® I219LM PCIe GbE PHY w/ iAMT
- Dual Channels 24-bit LVDS and 2 x DDI ports
- Support 3 independent displays
- 8.5V~20V Wide Range Voltage Input
- **Wide Range Operating Temp.: -40 ~ 85°C**

System

CPU	Soldered onboard 6 th Generation Intel® Core™ i7-6600U 2.6GHz (Base)/ 3.4GHz (Turbo), i5-6300U 2.3GHz (Base)/ 2.8GHz (Turbo), i3-6100U 2.3GHz (Base), Celeron® 3955U 2.3GHz (Base)
Memory	2 x DDR4 SO-DIMM sockets
BIOS	AMI UEFI BIOS
Watchdog Timer	1~255 levels reset

I/O

USB Port	12 x USB ports: - 8 x USB 2.0 ports - 4 x USB SuperSpeed ports
Serial Port	2 x UART ports (RX/TX only)
Expansion Bus	8 x PCIe lanes, I2C Interface
Digital I/O	8-bit Digital Input/Output
Storage	2 x Serial ATA ports Soldered onboard eMMC 5.0 up to 32GB (OEM Request)
Ethernet Chipset	1 x Intel® i219LM PCIe GbE PHY w/ iAMT
Audio	HD audio link
TPM	Supports TPM (OEM Request)

Display

Graphic Chipset	Intel® HD Graphics 520/ 510
Graphic Interface	LCD: Dual Channels 24-bit LVDS 2 x DDI ports

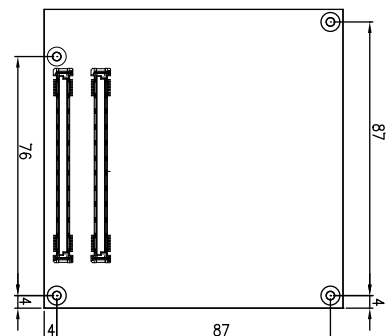
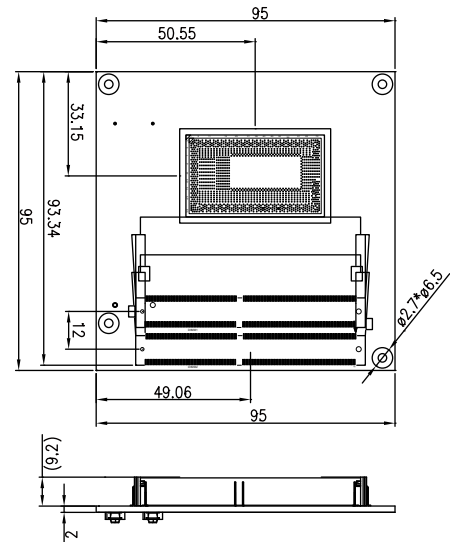
OS support

Windows 8.1 64-bit
Windows 10 64-bit
Linux: Ubuntu

Mechanical & Environmental

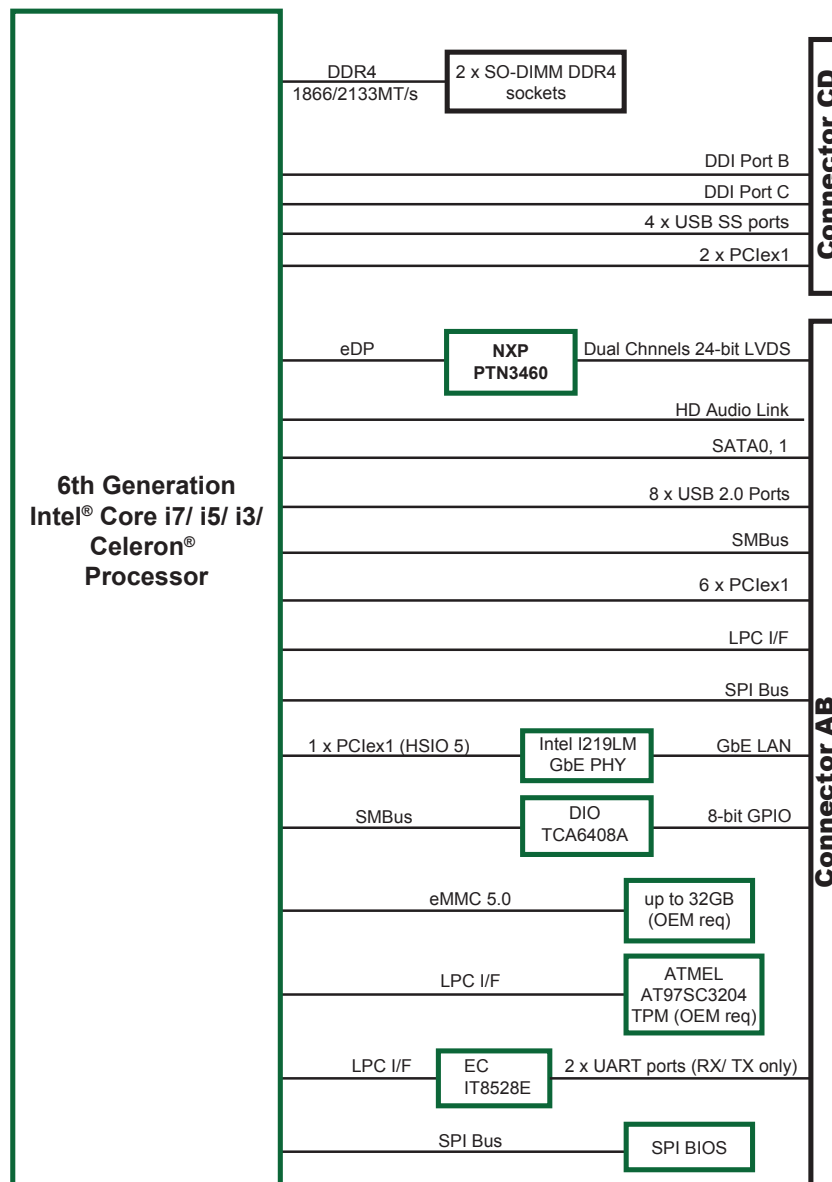
Power Requirement	8.5V~20V +/- 5% wide range voltage input, +5VSB
Power Consumption	1.96A@12V (i7-6600U typical)
Operating Temp.	-40 ~ 85°C (-40 ~ 185°F)
Operating Humidity	10 ~ 95% @ 85°C (non-condensing)
Dimensions (L x W)	95 x 95 mm (3.7" x 3.7")

Dimensions



Unit:mm

Block Diagram



Ordering Information

EmETXe-i89U0-6600U	6 th Generation Intel® Core™ i7-6600U WT COM Express® Compact Type 6 CPU module (MOQ required)
EmETXe-i89U0-6300U	6 th Generation Intel® Core™ i5-6300U WT COM Express® Compact Type 6 CPU module (Build to order, MOQ required)
EmETXe-i89U0-6100U	6 th Generation Intel® Core™ i3-6100U WT COM Express® Compact Type 6 CPU module (Build to order, MOQ required)
EmETXe-i89U0-3955U	6 th Generation Intel® Celeron® 3955U WT COM Express® Compact Type 6 CPU module (Build to order, MOQ required)

Optional Accessories

HS-89U0-F2-T	Heat spreader, threaded standoffs (bore hole) (95x95x11mm)
HS-89U0-F2-NT	Heat spreader, non-threaded standoffs (bore hole) (95x95x11mm)
HS-89U0-C1	Heat sink with Fan (95x95x11mm)
HS-0000-W4	Universal evaluation heatsink kit w/ thermal pad (dimensions: 125x95x22mm, only used on a flat type heat spreader)
PBE-1705-F1	COM Express® Type 6 evaluation carrier board with SIO F71869ED module in ATX form factor
CBK-03-1705-00	Cable kit 1 x SATA cable 2 x Serial port cables