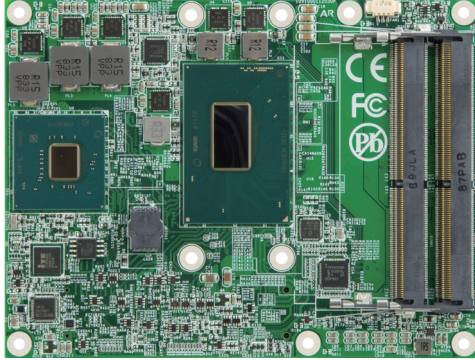


EmETXe-i91M0



Intel® 8th Generation Intel® Core™ i7-8850H/ i5-8400H /i3-8100H Processor
COM Express® Basic Type 6 CPU Module



Features

- Soldered onboard 8th Generation Intel® i7/i5/i3 processors
- Intel WGI219LM PCIe GbE PHY w/ iAMT
- Dual Channels 24-bit LVDS or Analog RGB
- Support 3 independent displays
- 8.5V~20V Wide Range Voltage Input
- Support Intel® Solid State Drive (SSD) Embedded "E SKU's
- **Wide Range Operating Temp.: -40 ~ 85°C**

System

CPU	Soldered onboard 8 th Gen Intel® Core™ i7-8850H 2.6GHz(Base)/ 4.3GHz(Turbo) or i5-8400H 2.5GHz(Base)/ 4.2GHz(Turbo) or i3-8100H 3.0GHz(Base) processor
Chipset	Soldered onboard Intel QM370 PCH
Memory	2 x DDR4 SO-DIMM sockets
BIOS	Legacy Free
Watchdog Timer	1~255 levels reset

I/O

USB Port	12 x USB ports: - 8 x USB 2.0 ports - 4 x USB 3.1 ports
Serial Port	2 x UART ports (RX/TX only)
Expansion Bus	8 x PCIe1 lanes, 1 x PEGx16 lane, I2C Interface
DIO	8-bit Digital Input/Output
Storage	4 x Serial ATA ports with 600MB/s HDD transfer rate
Ethernet Chipset	1 x Intel® i219LM PCIe GbE PHY
Audio	HD audio link
TPM	Supports TPM (OEM Request)

Display

Graphic Chipset	Integrated Intel® UHD Graphics 630
Graphic Interface	LCD: Dual Channels 24-bit LVDS/ 3 x DDI port or Analog RGB/ 2 x DDI ports

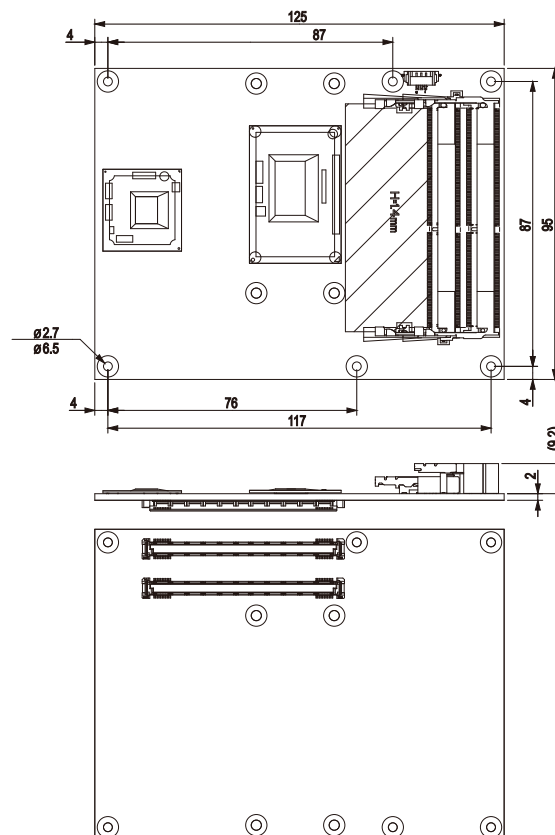
OS support

Windows 10 64-bit
Linux: Ubuntu

Mechanical & Environmental

Power Requirement	8.5V~20V +/- 5% wide range voltage input, +5VSB
Power Consumption	8.93A@12V(i7-8850H Typical)
Operating Temp.	-40 ~ 85°C (-40 ~ 185°F)
Operating Humidity	10 ~ 95% @ 85°C (non-condensing)
Dimensions (L x W)	125 x 95 mm (4.9" x 3.7")

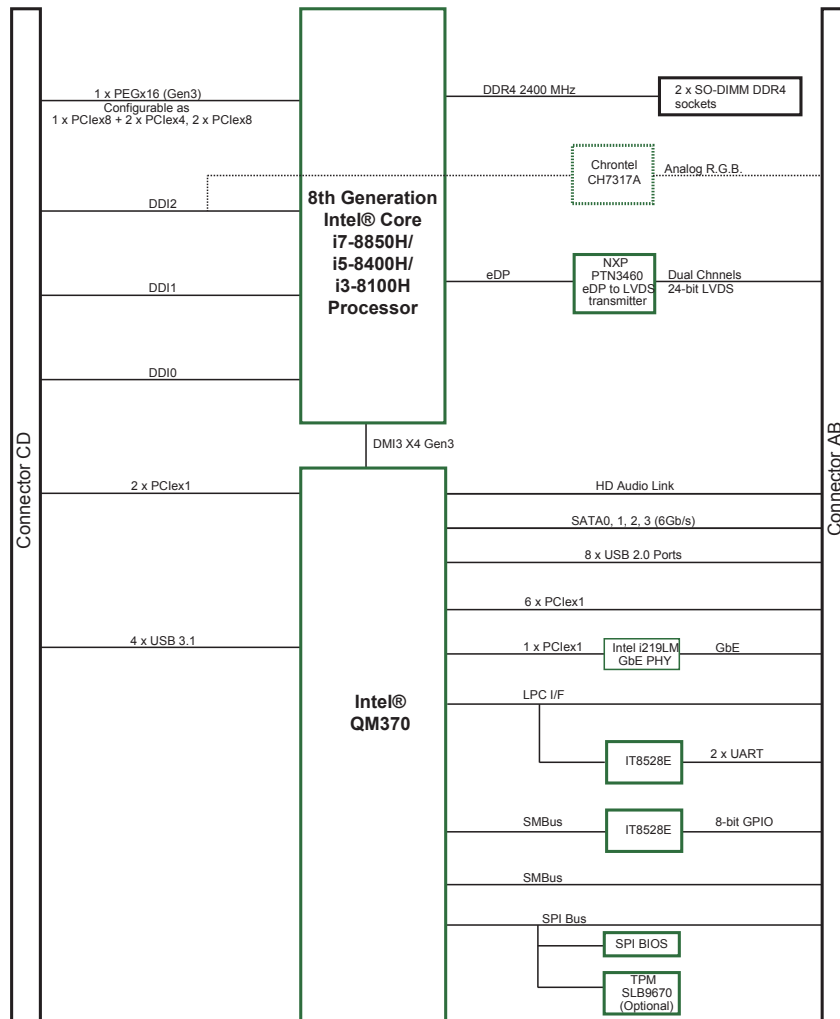
Dimensions



Unit: mm



Block Diagram



Ordering Information

EmETXe-i91M0-WT-8850H	8 th Generation Intel® Core™ i7-8850H, w/o Analog RGB WT COM Express® Basic Type 6 CPU Module
EmETXe-i91M0-WT-8850H-RGB	8 th Generation Intel® Core™ i7-8850H, w/ Analog RGB WT COM Express® Basic Type 6 CPU Module
EmETXe-i91M0-WT-8400H	8 th Generation Intel® Core™ i5-8400H, w/o Analog RGB WT COM Express® Basic Type 6 CPU Module
EmETXe-i91M0-WT-8400H-RGB	8 th Generation Intel® Core™ i5-8400H, w/ Analog RGB WT COM Express® Basic Type 6 CPU Module
EmETXe-i91M0-WT-8100H	8 th Generation Intel® Core™ i3-8100H, w/o Analog RGB WT COM Express® Basic Type 6 CPU Module
EmETXe-i91M0-WT-8100H-RGB	8 th Generation Intel® Core™ i3-8100H, w/ Analog RGB WT COM Express® Basic Type 6 CPU Module

Optional Accessories

HS-91M0-C1	Heat sink with Fan, with PAD (125x95x50mm)
PBE-1705-F1	COM Express® Type 6 evaluation carrier board with SIO F71869ED module in ATX form factor
CBK-03-1705-00	Cable kit 1 x SATA cable 2 x Serial Port cables