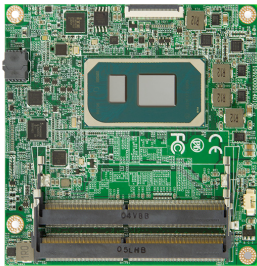


EmETXe-i92U0

11th Generation Intel® Core™ i7-1185G7E/ i5-1145G7E/ i3-1115G4E/ Celeron 6305E Processor COM Express® Compact Type 6 CPU Module



Features

- Soldered onboard 11th Generation Intel® Core™ i7-1185G7E/ i5-1145G7E/ i3-1115G4E/ Celeron 6305E processor
- Intel I219LM PCIe GbE PHY w/ iAMT
- Dual Channels 24-bit LVDS, Analog RGB and 3 x DDI ports
- Support 4 independent displays
- 8.5V~20V Wide Range Voltage Input
- **Wide Range Operating Temp.: -40 ~ 85°C**

System

CPU	Soldered onboard 11 th Generation Intel® Core™ - i7-1185G7E 1.8GHz(Base)/ 4.4GHz (Turbo) - i5-1145G7E 1.5GHz(Base)/ 4.1GHz (Turbo) - i3-1115G4E 2.2GHz(Base)/ 3.9GHz (Turbo) - Celeron 6305E 1.8GHz processor
Memory	2 x DDR4 SO-DIMM sockets
BIOS	AMI UEFI BIOS
Watchdog Timer	1~255 levels reset

I/O

USB Port	12 x USB ports: - 8 x USB 2.0 ports - 4 x USB 3.2 ports
Serial Port	2 x UART ports (RX/TX only)
Expansion Bus	1 x PCIe4 lanes, 4 x PCIe1 lanes, I ² C Interface, GPIO
Storage	Two Serial ATA ports with 600MB/s HDD transfer rate
Ethernet Chipset	1 x Intel® i219LM PCIe GbE PHY w/ iAMT
Audio	HD audio link
TPM	Supports TPM 2.0
MIPI DSI	Supports MIPI DSI interface via on CPU module connector (OEM Request)

Display

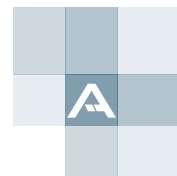
Graphic Chipset	Integrated Intel® Iris Xe or UHD Graphics (Depends on CPU SKU)
Graphic Interface	LCD: Dual Channels 24-bit LVDS 1 x Analog RGB port 3 x DDI ports (Max 4 independent display)

OS support

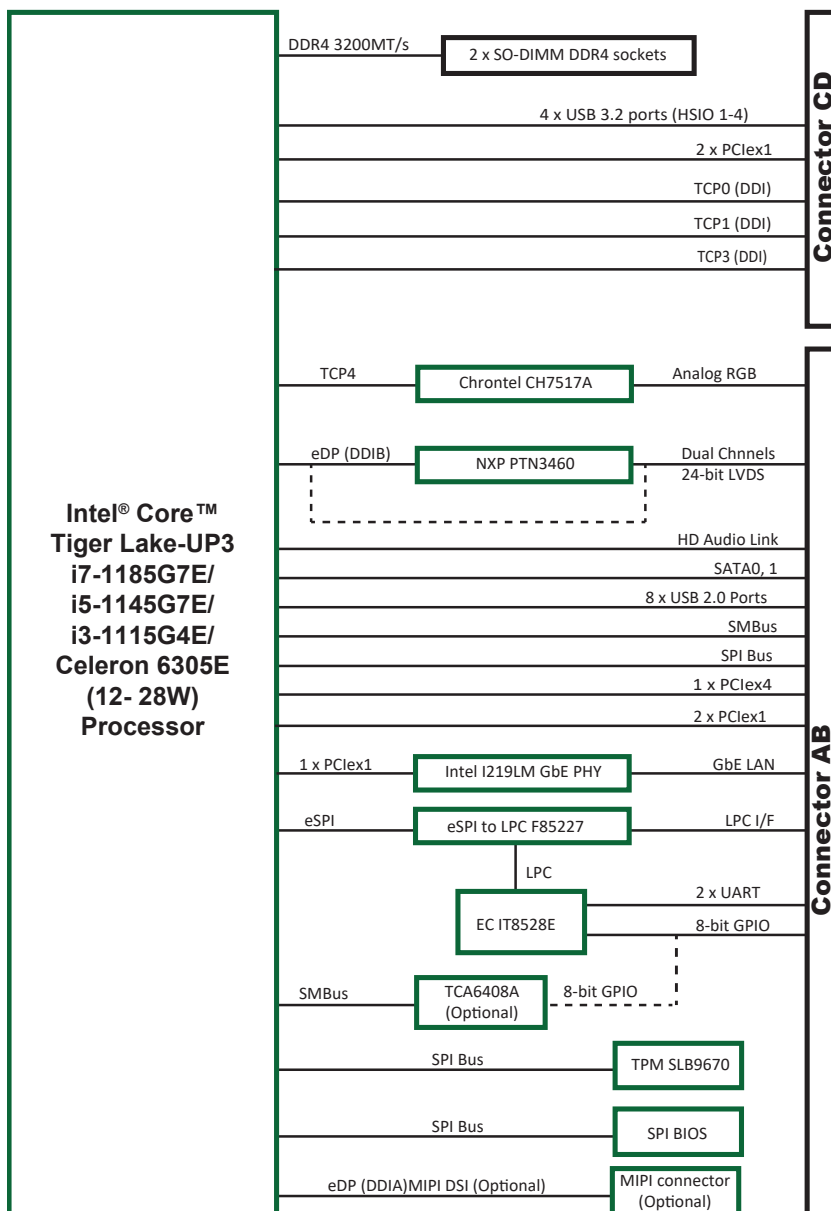
Windows 10 64-bit
Linux: Ubuntu

Mechanical & Environmental

Power Requirement	8.5V ~ 20V wide range voltage input, +5VSB +/- 5% support for S3
Power Consumption	1.14A@20V 8A@8.5V (i5-1145G7E CPU Module only)
Operating Temp.	-40 ~ 85°C (-40 ~ 185°F)
Operating Humidity	10 ~ 95% @ 85°C (non-condensing)
Dimensions (L x W)	95 x 95 mm (3.7" x 3.7")



Block Diagram



Ordering Information

EmETXe-i92U0-WT-1185G7E	11 th Gen. Intel® Core™ i7-1185G7E WT COMe Compact Type 6 CPU module, -40 ~ 85°C
EmETXe-i92U0-WT-1145G7E	11 th Gen. Intel® Core™ i5-1145G7E WT COMe Compact Type 6 CPU module, -40 ~ 85°C
EmETXe-i92U0-WT-1115G4E	11 th Gen. Intel® Core™ i3-1115G4E WT COMe Compact Type 6 CPU module, -40 ~ 85°C
EmETXe-i92U0-WT-6305E	11 th Gen. Intel® Celeron 6305E WT COMe Compact Type 6 CPU module, -40 ~ 85°C

Optional Accessories

HS-92U0-C1	Heat sink with Fan (95x95x50mm)
HS-91U0-F2-T	Heat spreader, threaded standoffs (bore hole) (95x95x11mm)
HS-91U0-F2-NT	Heat spreader, non-threaded standoffs (bore hole) (95x95x11mm)
PBE-1705-F1	COM Express® Type 6 evaluation carrier board with SIO F71869ED module in ATX form factor

CBK-03-1705-00	Cable kit 1 x SATA cable 2 x COM Flat cables
----------------	--