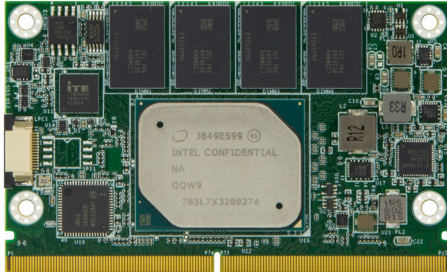




EmSMK-i2403

Intel® Atom™ x7-3950, x5-3940, x5-E3930 Processor, SMARC 2.0 CPU Module



Features

- Onboard Intel Atom E3950, E3940, E3930 processor
- Support 4 x PCIe1 lanes
- Support one Ethernet
- Support 1 x eDP, 1 x HDMI, 1 x DP++
- **Extended Range Operating Temperature: -20 ~85°C**

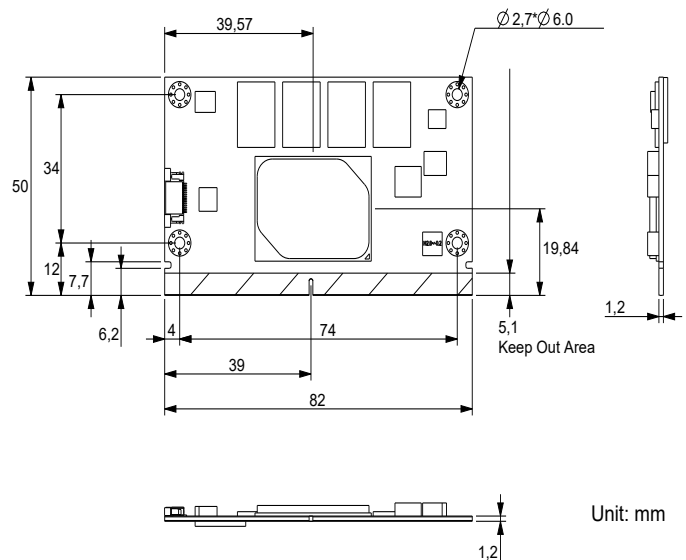
System

Processor	Soldered onboard Intel® Atom™ x7-E3950 1.6GHz Atom™ x5-E3940 1.6GHz Atom™ x5-E3930 1.3GHz Processor
Memory	Soldered onboard 8GB LPDDR4 SDRAM
BIOS	AMI BIOS
Watchdog Timer	1~255 levels reset
I/O	
USB 2.0	6 x USB 2.0 ports
USB 3.0	2 x USB 3.0 ports
Expansion	4 x PCIe1 lanes, SDIO, I ² S, I ² C, SMBus
GPIO	8-bit Programmable
Serial Port	4 x UART ports (2 x HUART, 2 x UART)
Storage	1 x Serial ATA port Soldered onboard eMMC (OEM request)
Ethernet	1 x Intel i210IT PCIe controller
Audio	HD Audio Link
MIPI-CSI	1 x MIPI-CSIx4 & 1 x MIPI-CSIx2 (OEM request)
Display	
Graphic Interface	1 x eDP 1 x DP++ 1 x HDMI port
OS Support	
Windows 10	
Linux	

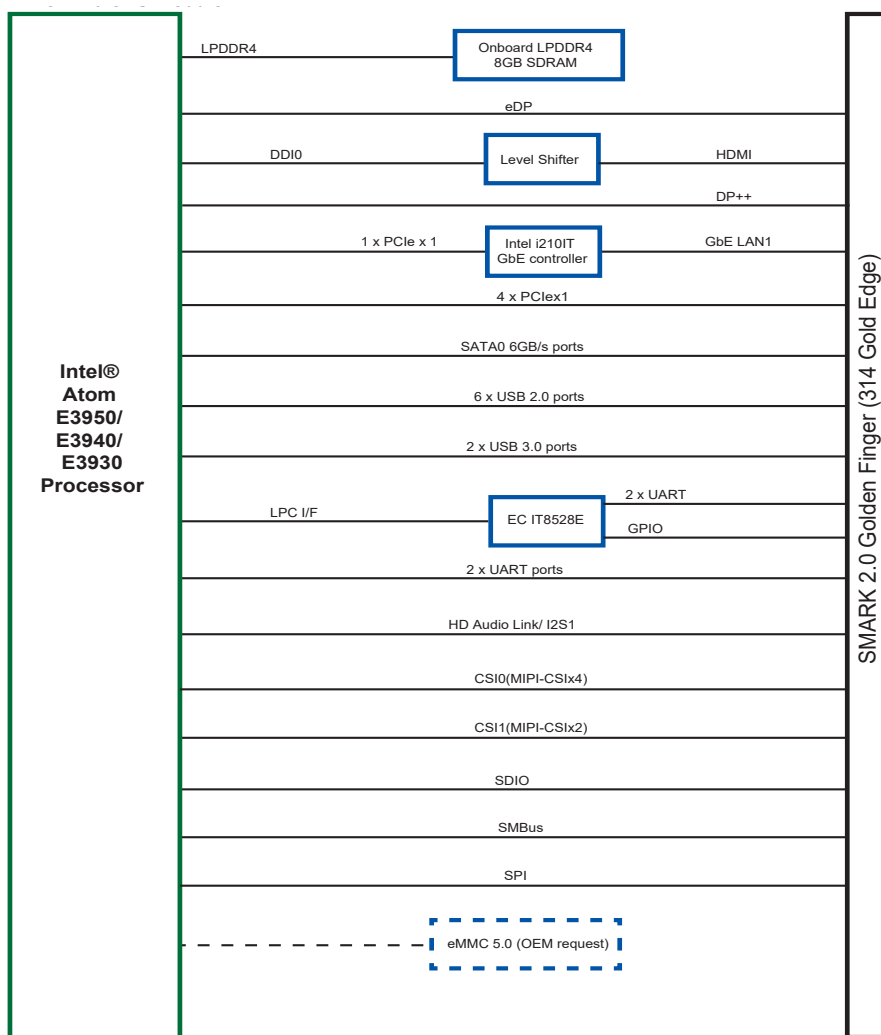
Mechanical & Environmental

Power Requirement	+3~5.25V power input
Power Consumption	0.71A@5.25V (X7-E3950 typical CPU module only)
Operating Temp.	-20 ~ 85°C (-4 ~ 185°F)
Operating Humidity	10 ~ 95% @ 85°C (non-condensing)
Dimensions (L x W)	82 x 50 mm

Dimensions



Block Diagram



Ordering Information

EmSMK-i2403-E3950-8GB	Intel® Atom™ Processor x7-E3950 SMARC R2.0 CPU module w/ 8GB memory down, -20 ~85°C
EmSMK-i2403-E3940-8GB	Intel® Atom™ Processor x5-E3940 SMARC R2.0 CPU module w/ 8GB memory down, -20 ~85°C
EmSMK-i2403-E3930-8GB	Intel® Atom™ Processor x5-E3930 SMARC R2.0 CPU module w/ 8GB memory down, -20 ~85°C

Optional Accessories

PBS-9015	SMARC R2.0 Carrier Board
HS-2403-F1	Heat spreader
CBK-02-9015-00	Cable Kit 1 x COM Cable 1 x SATA Cable