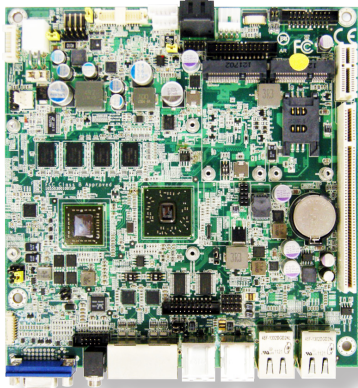


ITX-a55E3

AMD G-series APU G-T40N Embedded Mini-ITX Motherboard



Features

- **Ultra Low Profile (16.8mm Height)**
- Dual Gigabit Ethernet Ports
- Soldered onboard PenMount Touch Controller
- Dual Independent Displays supported
- Additional PCIe x1 Slot for PCI Expansion (need riser card)
- Integrated SIM Socket for mobile telecommunication
- Highly Integrated Communication Interfaces
- **Wide Range DC Power Input: 9 ~36V**
- **Extended Operating Temp.: -20 ~ 70°C**

System

Processor	Soldered onboard AMD G-Series Processor G-T40N 1.0GHz
Chipset	AMD® FCH A55E
Memory	Soldered Onboard 2GB DDR3
BIOS	AMI BIOS
Watchdog Timer	1~255 levels reset

I/O

I/O Chip	Fintek F81866D-I
Serial Port	4 x RS-232 ports 2 x RS-232/485 selectable
Keyboard & Mouse	6-pin wafer connector for PS/2 keyboard/ mouse via Y-cable
USB 2.0	8 x USB 2.0 ports 1 x PCI slot
Expansion	1 x Mini card socket 1 x PCIe x1 slot 1 x SIM card socket
Storage	2 x Serial ATA ports with 600MB/s HDD transfer rate 1 x mSATA socket
Ethernet Chipset	2 x Realtek® RTL8111 PCIe GbE controllers
Digital I/O	8-bit programmable Digital Input/Output
Audio Interface	Realtek® HD ALC662HD Audio Codec, Mic-in/Line-in/Line-out

Display

Graphic Chipset	Integrated Radeon™ HD 6250
Graphic Interface	DVI-I: Analog RGB support up to 2048 x 1536 or TMDS support up to 1920 x 1200 LVDS: Dual Channels 24-bit LVDS

Touch Screen Interface

Mode	PenMount C8051F321, supporting 5-wire Resistive Touch, USB interface
------	--

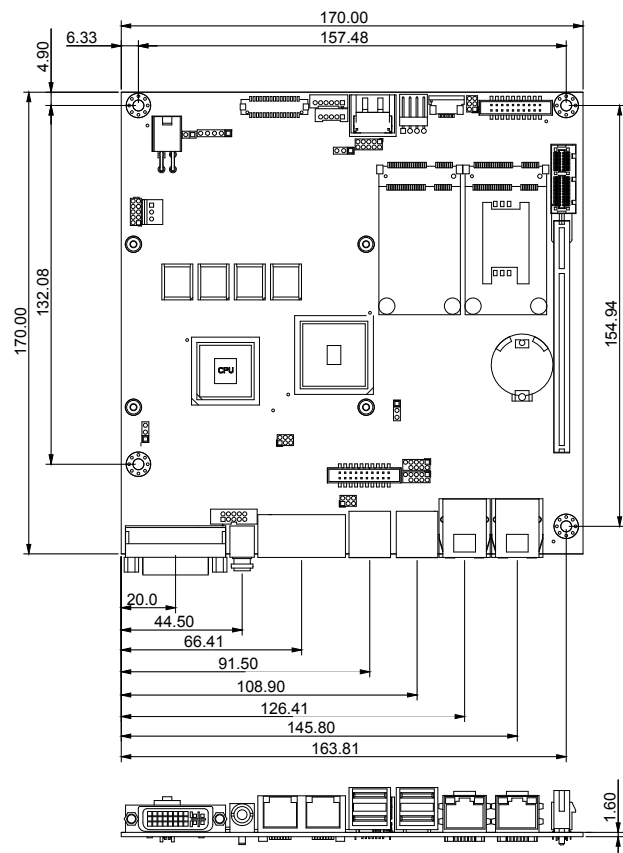
OS Support

Windows XP 32-bit
Windows 7 32/64-bit
Linux: Ubuntu

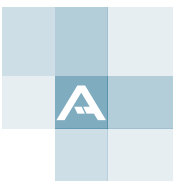
Mechanical & Environmental

Power Input	DC 9 ~ 36V
Power Consumption	1.43A@+12V (Typical)
Operating Temp.	-20 ~ 70°C (-4 ~ 158°F)
Operating Humidity	10 ~ 95% @ 70°C (non-condensing)
Dimension (L x W)	170 x 170 mm (6.7" x 6.7")

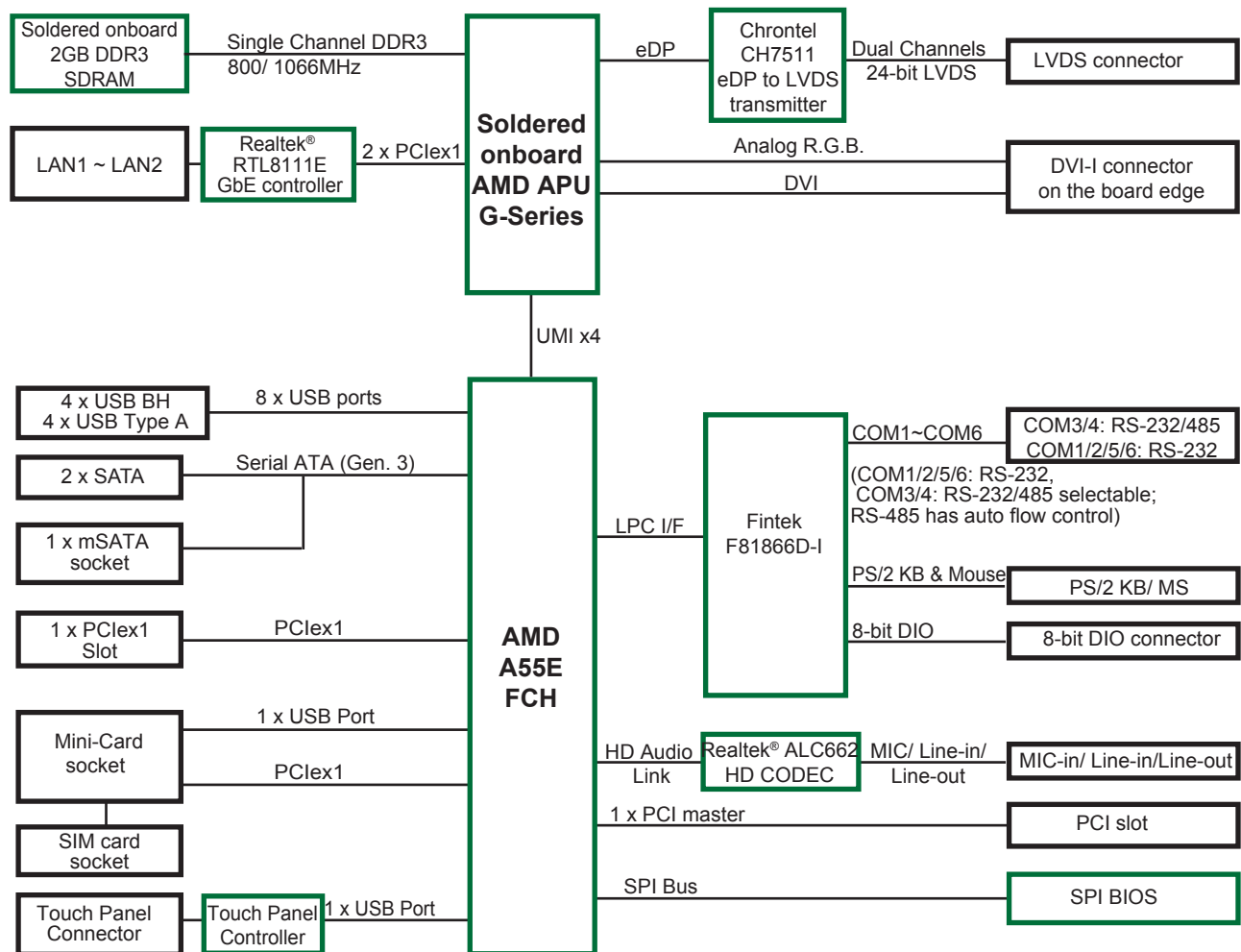
Dimensions



Unit: mm



Block Diagram



Ordering Information

ITX-a55E3-T40N AMD G-T40N Embedded Mini-ITX motherboard

Optional Accessories

SCDB-5190	PCIe x1 riser card
CBK-11-55E3-00	Cable kit 2 x USB cables 2 x Two-port-serial cables 2 x Serial-port RJ-45 cables 1 x KB/MS Y-cable 1 x Audio cable 1 x SATA power cable 2 x SATA cables