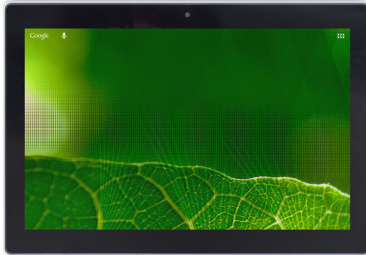




M1016

10.1" Healthcare Infotainment Terminal



Features

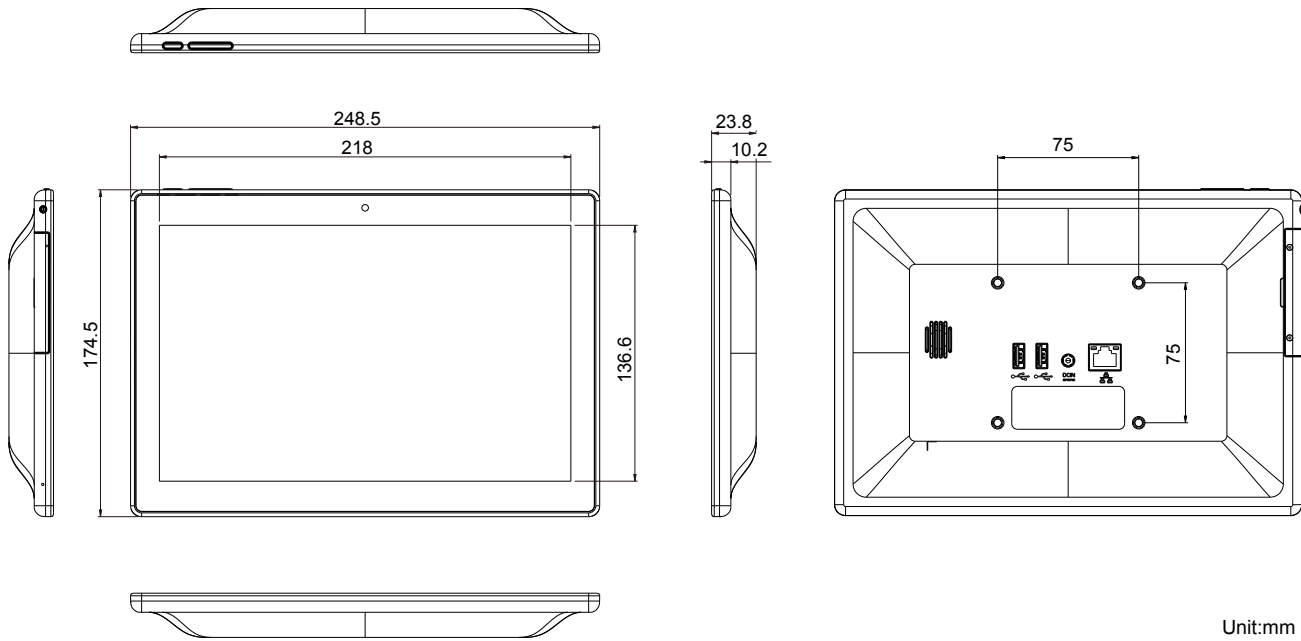
- Quad-Core ARM Cortex-A35 CPU 1.5G Hz, Android-based
- Bedside infotainment and medical thin-client application
- 10.1" LCD display
- 10-point Projected Capacitive Multi-Touch
- Support Android 8.1
- H.265/HEVC Video Decode
- IEC & EN 60601-1 (Edition 3.1) and IEC & EN 60601-1-2 (Edition 4th) certified
- PoE connectivity (PD)
- Operating temperature: 0°C ~ 40°C

System	
CPU	ARM Quad-Core Cortex-A35 1.5GHz (SoC)
GPU	Mali-G31 MP2
Memory	2GB DDR4 memory soldered on board
Storage	16GB eMMC Flash soldered on board
Peripherals and Devices	
Camera	2MP front-facing camera
WLAN & Bluetooth	1 x WLAN 802.11 a/b/g/n/ac & Bluetooth 5.0 + BLE
RFID & NFC	1 x 13.56MHz RFID & NFC reader with ISO 14443A/14443B/15693 support (optional)
I/O Interface	
SD Card	1 x microSDHC/microSD card socket (hidden) (Max. 32GB)
Audio	1 x 3W stereo speaker 1 x 3.5mm earphone jack 1 x built-in microphone
LAN	1 x RJ-45 10/100M with PoE PD support
USB Port	2 x USB 2.0 Type-A port 1 x OTG micro-USB 2.0 (hidden)
Button & Indicator	
Button	1 x Power on/off button 2 x Volume up/down buttons 1 x Reset button (hidden)
LED	Green: DC Jack Orange: PoE
Touch Screen	
Type	10-point Projected Capacitive Multi-Touch
LCD Display	
Size/Type	10.1" TFT, LVDS type
Max. Resolution	1280 x 800 (WXGA)
Contrast Ratio	800:1 (typ.)
Backlight Type	LED
Brightness	350 cd/m ² (Typ.)
View Angle (U/D/R/L)	85°/85°/85°/85° (typ.)
Video Streaming	
UDP Streaming	Support multicast UDP stream decode
RTSP Streaming	Support RTSP stream decode
HLS Streaming	Support HLS stream

Power Requirement	
Power Input	PoE input or Power adaptor input
Adapter Input	100 ~ 240 VAC (full range)
Adapter Output	DC 12V, 2.5A
Mechanical & Environmental	
Operating Temp.	0 ~ 40°C (32 ~ 104°F)
Storage Temp.	-5 ~ 60°C (23 ~ 140°F)
Operating Humidity	10 ~ 80% @ 40°C (non-condensing)
Dimensions	248.5 mm x 174.5mm x 23.8 mm (9.78" x 6.87" x 0.94")
Net Weight	623g (1.38lb)
Vibration	1 Grms/ 5 ~ 500Hz/ random operation
Shock	10G/ peak (11ms)
Mounting	VESA-75 compatible
IP Rating	Compliance design with IP65 (front touch panel)
Operational Altitude	Below 2000m
Regulatory	CE, FCC Part 15 Subpart C IEC & EN 60601-1 Safety (Edition 3.1), IEC & EN 60601-1-2 EMC (Edition 4th)
OS Support	
Android™ 8.1	
Ordering Information	
M1016	10.1" terminal with projected capacitive touchscreen, Wi-Fi and front camera



Dimensions



Unit:mm

Optional Accessories

PAC-M025W 25W medical-grade AC/DC adapter kit



Optional Configuration (CTOS* Kit)
(Not Sold Separately)

RFID & NFC-1016 RFID & NFC module kit



*CTOS means Configure-to-Order Service. BTO means Build-to-Order.