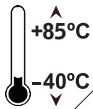


**Wide Operating  
Temperature**



# EmETXe-i91U0

## COM Express® Compact Type 6 CPU Module Quick Installation Guide

Version 1.1

<b>Form Factor</b> <i>COM Express® Compact Type 6 CPU Module</i>	<b>CPU</b> <i>8<sup>th</sup> Gen. Intel® Core™ i7-8665UE/ i5-8365UE/ i3-8145UE/ Celeron 4305UE</i>	<b>Video</b> <i>24-bit Dual Channels LVDS/ DDI/ Analog RGB</i>
<b>LAN</b> <i>Intel® i219LM PCIe GbE PHY</i>	<b>Audio</b> <i>HD Audio Link</i>	<b>I/O</b> <i>USB / SATA/ PCIe / I2C/ DIO / UART</i>

### ◆ Technical Support

If you have any technical difficulties, please consult the user's manual first on our website.

<http://www.arbor-technology.com>

Please do not hesitate to call or e-mail our customer service when you still can not find out the answer.

E-mail: [info@arbor.com.tw](mailto:info@arbor.com.tw)

FCC Class A

This device complies with Part 15 of the FCC Rules. Operation is subject to the following two conditions : (1) this device may not cause harmful interference, and (2) this device must accept any interference received, including interference that may cause undesired operation.

Copyright© 2020 All Rights Reserved.



---

COM Express supports seven pin-out Type applying to Basic and Extended form factors:

Module Type 1 and 10 support single connector with two rows of pins (220 pins)  
Module Type 2, 3, 4, 5 and 6 support two connectors with four rows of pins (440 pins)  
Connector placement and most mounting holes have transparency between Form Factors.

The differences among the Module Type 6 and EmETXe-i91U0 are summarized in table below:

Module Type	Standard Type 6	EmETXe-i91U0
Connectors	2	2
Connector Rows	A, B, C, D	A, B, C, D
PCIe Lanes (Max)	24	8
LAN (Max)	1	1
Serial Ports (Max)	2	2
Digital Display I/F (Max)	3	2
USB 3.0 Ports (Max)	4	4

## Packing List

Before you begin installing your single board, please make sure that the following materials have been shipped:



1 x EmETXe-i91U0 COM Express CPU Module



1 x Quick Installation Guide

If any of the above items is damaged or missing, contact your vendor immediately.

## Specifications

System	
CPU	Soldered onboard 8th Generation Intel® Core™ - i7-8665UE 1.7GHz (Base)/ 4.4GHz (Turbo) - i5-8365UE 1.6GHz (Base)/ 4.1GHz (Turbo) - i3-8145UE 2.2GHz (Base)/ 3.9GHz (Turbo) - Celeron 4305UE 2.2GHz processor
Memory	2 x DDR4 SO-DIMM sockets
BIOS	AMI UEFI BIOS
Watchdog Timer	1~255 levels reset
I/O	
USB Port	12 x USB ports: - 8 x USB 2.0 ports - 4 x USB 3.1 ports
Serial Port	2 x UART ports (RX/TX only)
Expansion Bus	8 x PCIe1 lanes, I2C Interface
Digital I/O	8-bit Digital Input/Output
Storage	2 x Serial ATA ports Soldered onboard eMMC 5.0 up to 32GB (OEM Request)
Ethernet Chipset	1 x Intel® i219LM PCIe GbE PHY
Audio	HD audio link
TPM	Supports TPM (OEM Request)
Display	
Graphic Chipset	Intergrated Intel® HD Graphics 620
Graphic Interface	LCD: Dual Channels 24-bit LVDS 2 x DDI ports or 1 x DDI port, 1 x Analog RGB port
Mechanical & Environmental	
Power Requirement	8.5V~20V +/- 5% wide range voltage input, +5VSB
Power Consumption	2.3A@12V (i7-8665UE typical, CPU module only)
Operating Temp.	-40 ~ 85°C (-40 ~ 185°F)
Operating Humidity	10 ~ 95% @ 85°C (non-condensing)
Dimensions (L x W)	95 x 95 mm (3.7" x 3.7")

## Ordering Information

EmETXe-i91U0-WT-8665UE	8th Generation Intel® Core™ i7-8665UE WT COM Express® Compact Type 6 CPU module, w/ DDI
EmETXe-i91U0-WT-8365UE	8th Generation Intel® Core™ i5-8365UE WT COM Express® Compact Type 6 CPU module, w/ DDI
EmETXe-i91U0-WT-8145UE	8th Generation Intel® Core™ i3-8145UE WT COM Express® Compact Type 6 CPU module-, w/ DDI
EmETXe-i91U0-WT-4305UE	8th Generation Intel® Core™ Celeron 4305UE WT COM Express® Compact Type 6 CPU module, w/ DDI
EmETXe-i91U0-WT-8665UE-RGB	8th Generation Intel® Core™ i7-8665UE WT COM Express® Compact Type 6 CPU module, w/ DDI+RGB
EmETXe-i91U0-WT-8365UE-RGB	8th Generation Intel® Core™ i5-8365UE WT COM Express® Compact Type 6 CPU module, w/ DDI+RGB
EmETXe-i91U0-WT-8145UE-RGB	8th Generation Intel® Core™ i3-8145UE WT COM Express® Compact Type 6 CPU module-, w/ DDI+RGB
EmETXe-i91U0-WT-4305UE-RGB	8th Generation Intel® Core™ Celeron 4305UE WT COM Express® Compact Type 6 CPU module, w/ DDI+RGB
EmETXe-i91U0D-WT-8665UE (OEM Request)	8th Generation Intel® Core™ i7-8665UE COM Express® Compact Type 6 CPU module, w/ 32GB eMMC, DDI
EmETXe-i91U0D-WT-8365UE (OEM Request)	8th Generation Intel® Core™ i5-8365UE COM Express® Compact Type 6 CPU module, w/ 32GB eMMC, DDI
EmETXe-i91U0D-WT-8145UE (OEM Request)	8th Generation Intel® Core™ i3-8145UE COM Express® Compact Type 6 CPU module, w/ 32GB eMMC, DDI
EmETXe-i91U0D-WT-4305UE (OEM Request)	8th Generation Intel® Core™ Celeron 4305UE COM Express® Compact Type 6 CPU module, w/ 32GB eMMC, DDI
EmETXe-i91U0D-WT-8665UE- RGB (OEM Request)	8th Generation Intel® Core™ i7-8665UE COM Express® Compact Type 6 CPU module, w/ 32GB eMMC, DDI+RGB
EmETXe-i91U0D-WT-8365UE- RGB (OEM Request)	8th Generation Intel® Core™ i5-8365UE COM Express® Compact Type 6 CPU module, w/ 32GB eMMC, DDI+RGB

EmETXe-i91U0D-WT-8145UE-RGB (OEM Request)	8th Generation Intel® Core™ i3-8145UE COM Express® Compact Type 6 CPU module, w/ 32GB eMMC, DDI+RGB
EmETXe-i91U0D-WT-4305UE-RGB (OEM Request)	8th Generation Intel® Core™ Celeron 4305UE COM Express® Compact Type 6 CPU module, w/ 32GB eMMC, DDI+RGB

## Optional Accessories

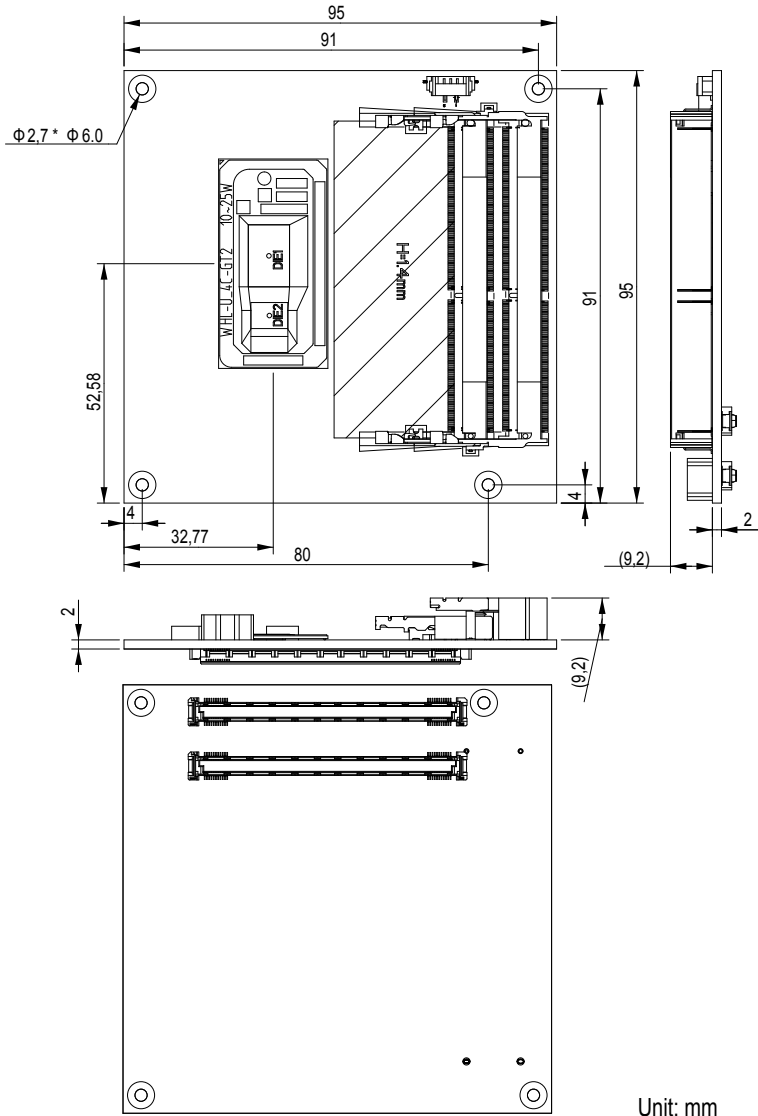
HS-91U0-F2-T	Heat spreader, threaded standoffs (bore hole) (95x95x11mm)
HS-91U0-F2-NT	Heat spreader, non-threaded standoffs (bore hole) (95x95x11mm)
HS-91U0-C1	Heat sink with Fan (95x95x37.6mm)
PBE-1705-F1	COM Express® Type 6 evaluation carrier board with SIO F71869ED module in ATX form factor
CBK-03-1705-00	Cable kit 1 x SATA cable 2 x Serial port cables

## Driver (7.4A) Installation

To install the drivers, please visit our website at [www.arbor.technology.com](http://www.arbor.technology.com) and download the driver pack from the product page.

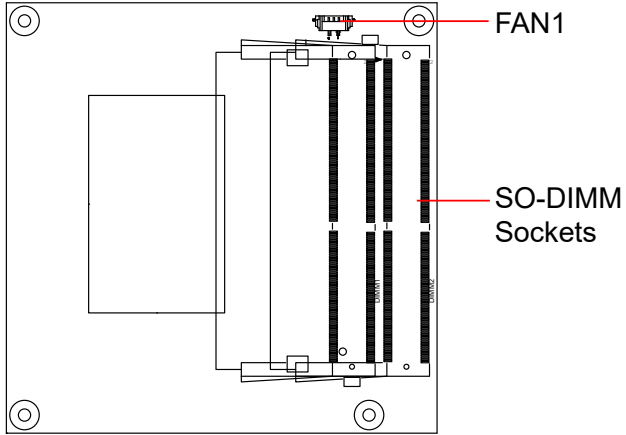
Driver	Path
Audio	\\EmETXe-i91U0\Audio\Win10_Win8.1_Win8_Win7_WHQLx64
Chipset	\\EmETXe-i91U0\Chipset
LAN	\\EmETXe-i91U0\Ethernet
Graphic	\\EmETXe-i91U0\Graphic\igfx_win10_100.7212
ME	\\EmETXe-i91U0\ME

# Board Dimensions

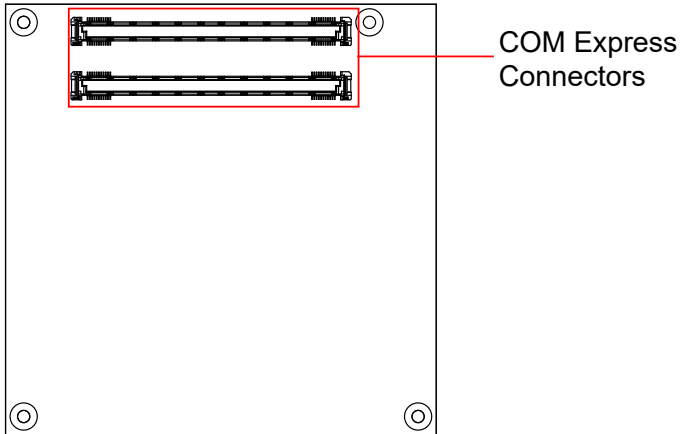


# Connectors Quick Reference

## Top Side



## Bottom Side



### FAN1: Fan connector

Connector type: Wafer 3-pin 1.25mm 85204-03X0L

Pin	Description
1	GND
2	Fan out
3	Fan Tachometer Input



## COM Express AB Connector (bottom side)

B1	GND	GND (FIXED)	A1	B56	PCIE_RXN6	PCIE_TXN6	A56
B2	LAN_LED_ACT#	LAN1_MDI3N	A2	B57	DIO_2	GND	A57
B3	LPC_FRAME#	LAN1_MDI3P	A3	B58	PCIE_RXP4	PCIE_TXP4	A58
B4	LPC_AD0	LAN_LED_100#	A4	B59	PCIE_RXN4	PCIE_TXN4	A59
B5	LPC_AD1	LAN_LED_1000#	A5	B60	GND	GND	A60
B6	LPC_AD2	LAN1_MDI2N	A6	B61	PCIE_RXP3	PCIE_TXP3	A61
B7	LPC_AD3	LAN1_MDI2P	A7	B62	PCIE_RXN3	PCIE_TXN3	A62
B8	LPC_LDRQ0-	LAN_LED_LNK#	A8	B63	DIO_3	DIO_1	A63
B9	LPC_LDRQ1-	LAN1_MDI1N	A9	B64	PCIE_RXP2	PCIE_TXP2	A64
B10	LPC_CLK	LAN1_MDI1P	A10	B65	PCIE_RXN2	PCIE_TXN2	A65
B11	GND	GND (FIXED)	A11	B66	PCH_WAKE#	GND	A66
B12	CB_PWRBTN#	LAN1_MDI0N	A12	B67	EC_WAKE_IN#	DIO_2	A67
B13	SMB_CLK	LAN1_MDI0P	A13	B68	PCIE_RXP1	PCIE_TXP1	A68
B14	SMB_DATA	OV9_LAN	A14	B69	PCIE_RXN1	PCIE_TXN1	A69
B15	SMB_ALERT#	SLP_S3#	A15	B70	GND	GND	A70
B16	SATA_TXP1	SATA_TXP0	A16	B71	LVDSB_DATA0	LVDSA_DATA0	A71
B17	SATA_TXN1	SATA_TXN0	A17	B72	LVDSB_DATA0-	LVDSA_DATA0-	A72
B18	SUS_STAT#	SLP_S4#	A18	B73	LVDSB_DATA1	LVDSA_DATA1	A73
B19	SATA_RXP1	SATA_RXP0	A19	B74	LVDSB_DATA1-	LVDSA_DATA1-	A74
B20	SATA_RXN1	SATA_RXN0	A20	B75	LVDSB_DATA2	LVDSA_DATA2	A75
B21	GND	GND (FIXED)	A21	B76	LVDSB_DATA2-	LVDSA_DATA2-	A76
B22	N/C	N/C	A22	B77	LVDSB_DATA3	LVDS_VDD_EN	A77
B23	N/C	N/C	A23	B78	LVDSB_DATA3-	LVDSA_DATA3	A78
B24	CB_PWROK	SLP_S5#	A24	B79	LVDS_BKLT_EN	LVDSA_DATA3-	A79
B25	N/C	N/C	A25	B80	GND	GND	A80
B26	N/C	N/C	A26	B81	LVDSB_CLK+	LVDSA_CLK+	A81
B27	WDT	PM_BATLOW#	A27	B82	LVDSB_CLK-	LVDSA_CLK-	A82
B28	N/C	SATALED-	A28	B83	COM_BKLT_CTRL	LVDS_DDC_CLK	A83
B29	HDA_SDIN1	HDA_SYNC	A29	B84	VCC_5V_SBY	LVDS_DDC_DATA	A84
B30	HDA_SDIN0	HDA_RST-	A30	B85	VCC_5V_SBY	DIO_3	A85
B31	GND	GND	A31	B86	VCC_5V_SBY	H_RCIN#	A86
B32	SPKR	HDA_BIT_CLK	A32	B87	VCC_5V_SBY	A20GATE	A87
B33	I2C_CLK	HDA_SDOUT	A33	B88	BIOS_DIS1#	COM_EXP_CLK_P	A88
B34	I2C_DAT	BIOS_DIS0#	A34	B89	N/C	COM_EXP_CLK_N	A89
B35	THRM#	CB_TRIP#	A35	B90	GND	GND	A90
B36	USBP_7N	USBP_6N	A36	B91	CRT_GREEN	+V3.3A	A91
B37	USBP_7P	USBP_6P	A37	B92	CRT_BLUE	SPI_MISO	A92
B38	USBOC_45-	USBOC_67-	A38	B93	CRT_HSYNC	DIO_0	A93
B39	USBP_5N	USBP_4N	A39	B94	CRT_VSYNC	SPI_CLK	A94
B40	USBP_5P	USBP_4P	A40	B95	CRT_DDC_CLK	SPI_MOSI	A95
B41	GND	GND	A41	B96	CRT_DDC_DATA	COM_TMP_PP	A96
B42	USBP_3N	USBP_2N	A42	B97	SPL_CS1#	N/C	A97
B43	USBP_3P	USBP_2P	A43	B98	N/C	UART_TX0	A98
B44	USBOC_01-	USBOC_23-	A44	B99	N/C	UART_RX0	A99
B45	USBP_1N	USBP_0N	A45	B100	GND	GND	A100
B46	USBP_1P	USBP_0P	A46	B101	FAN_PWMOUT	UART_TX1	A101
B47	PLTRST#_BUFF	VCC_RTC	A47	B102	FAN_TACHIN	UART_RX1	A102
B48	EXCD1_CCPE#	PLTRST#_BUFF	A48	B103	SLEEP#	LID#	A103
B49	CB_SYSRST#	EXCD0_CCPE#	A49	B104	VCC_12V	VCC_12V	A104
B50	CB_RESET#	LPC_SERIRQ	A50	B105	VCC_12V	VCC_12V	A105
B51	GND	GND	A51	B106	VCC_12V	VCC_12V	A106
B52	PCIE_RXP7	PCIE_TXP7	A52	B107	VCC_12V	VCC_12V	A107
B53	PCIE_RXN7	PCIE_TXN7	A53	B108	VCC_12V	VCC_12V	A108
B54	DIO_1	DIO_0	A54	B109	VCC_12V	VCC_12V	A109
B55	PCIE_RXP6	PCIE_TXP6	A55	B110	GND	GND	A110



## COM Express CD Connector (bottom side)

D1	GND (FIXED)	GND (FIXED)	C1	D56	N/C	N/C	C56
D2	GND	GND	C2	D57	TYPE2#	N/C	C57
D3	USB_SSTX0-	USB_SSRX0-	C3	D58	N/C	N/C	C58
D4	USB_SSTX0+	USB_SSRX0+	C4	D59	N/C	N/C	C59
D5	GND	GND	C5	D60	GND (FIXED)	GND (FIXED)	C60
D6	USB_SSTX1-	USB_SSRX1-	C6	D61	N/C	N/C	C61
D7	USB_SSTX1+	USB_SSRX1+	C7	D62	N/C	N/C	C62
D8	GND	GND	C8	D63	N/C	N/C	C63
D9	USB_SSTX2-	USB_SSRX2-	C9	D64	N/C	N/C	C64
D10	USB_SSTX2+	USB_SSRX2+	C10	D65	N/C	N/C	C65
D11	GND (FIXED)	GND (FIXED)	C11	D66	N/C	N/C	C66
D12	USB_SSTX3-	USB_SSRX3-	C12	D67	N/C	N/C	C67
D13	USB_SSTX3+	USB_SSRX3+	C13	D68	N/C	N/C	C68
D14	GND	GND	C14	D69	N/C	N/C	C69
D15	DDI1_CTRLCLK_AUX+	N/C	C15	D70	GND (FIXED)	GND (FIXED)	C70
D16	DDI1_CTRLCLK_AUX-	N/C	C16	D71	N/C	N/C	C71
D17	N/C	RSVD	C17	D72	N/C	N/C	C72
D18	N/C	RSVD	C18	D73	GND	N/C	C73
D19	PCIE_TX6+	PCIE_RX6+	C19	D74	N/C	N/C	C74
D20	PCIE_TX6-	PCIE_RX6-	C20	D75	N/C	N/C	C75
D21	GND(FIXED)	GND(FIXED)	C21	D76	GND	N/C	C76
D22	PCIE_TX7+	PCIE_RX7+	C22	D77	N/C	N/C	C77
D23	PCIE_TX7-	PCIE_RX7-	C23	D78	N/C	N/C	C78
D24	N/C	DDI1_HPD	C24	D79	N/C	N/C	C79
D25	N/C	N/C	C25	D80	GND (FIXED)	GND (FIXED)	C80
D26	DDI1_PAIR0+	N/C	C26	D81	N/C	N/C	C81
D27	DDI1_PAIR0-	RSVD	C27	D82	N/C	N/C	C82
D28	N/C	RSVD	C28	D83	N/C	N/C	C83
D29	DDI1_PAIR1+	N/C	C29	D84	GND	GND	C84
D30	DDI1_PAIR1-	N/C	C30	D85	N/C	N/C	C85
D31	GND(FIXED)	GND (FIXED)	C31	D86	N/C	N/C	C86
D32	DDI1_PAIR2+	DDI2_CTRLCLK_AUX+	C32	D87	GND	GND	C87
D33	DDI1_PAIR2-	DDI2_CTRLCLK_AUX-	C33	D88	N/C	N/C	C88
D34	DDI1_DDC_AUX_SEL	DDI2_DDC_AUX_SEL	C34	D89	N/C	N/C	C89
D35	N/C	RSVD	C35	D90	GND (FIXED)	GND (FIXED)	C90
D36	DDI1_PAIR3+	N/C	C36	D91	N/C	N/C	C91
D37	DDI1_PAIR3-	N/C	C37	D92	N/C	N/C	C92
D38	N/C	N/C	C38	D93	GND	GND	C93
D39	DDI2_PAIR0+	N/C	C39	D94	N/C	N/C	C94
D40	DDI2_PAIR0-	N/C	C40	D95	N/C	N/C	C95
D41	GND(FIXED)	GND(FIXED)	C41	D96	GND	GND	C96
D42	DDI2_PAIR1+	N/C	C42	D97	N/C	N/C	C97
D43	DDI2_PAIR1-	N/C	C43	D98	N/C	N/C	C98
D44	DDI2_HPD	N/C	C44	D99	N/C	N/C	C99
D45	N/C	RSVD	C45	D100	GND (FIXED)	GND (FIXED)	C100
D46	DDI2_PAIR2+	N/C	C46	D101	N/C	N/C	C101
D47	DDI2_PAIR2-	N/C	C47	D102	N/C	N/C	C102
D48	N/C	RSVD	C48	D103	GND	GND	C103
D49	DDI2_PAIR3+	N/C	C49	D104	VCC_12V	VCC_12V	C104
D50	DDI2_PAIR3-	N/C	C50	D105	VCC_12V	VCC_12V	C105
D51	GND (FIXED)	GND (FIXED)	C51	D106	VCC_12V	VCC_12V	C106
D52	N/C	N/C	C52	D107	VCC_12V	VCC_12V	C107
D53	N/C	N/C	C53	D108	VCC_12V	VCC_12V	C108
D54	PEG_LANE_RV#	N/C	C54	D109	VCC_12V	VCC_12V	C109
D55	N/C	N/C	C55	D110	GND (FIXED)	GND (FIXED)	C110